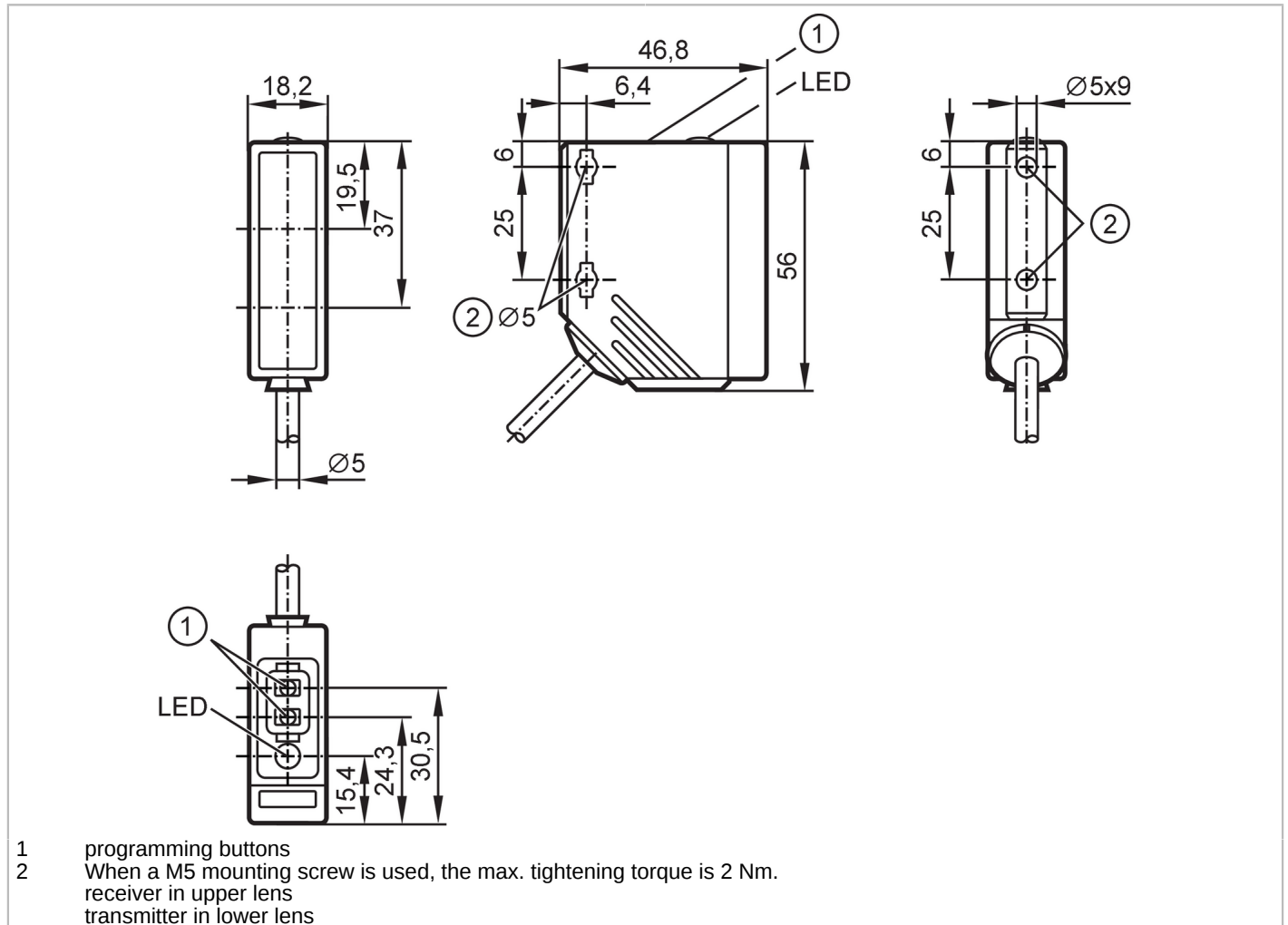


O5H503



Diffuse reflection sensor with background suppression

O5H-FPKG/2M



Product characteristics	
Type of light	red light
Housing	rectangular
Application	
Special feature	Background suppression
Function principle	Diffuse reflection sensor
Application	Industrial applications / factory automation
Electrical data	
Operating voltage [V]	10...36 DC
Current consumption [mA]	25
Protection class	II
Reverse polarity protection	yes
Type of light	red light
Wave length [nm]	624
Outputs	
Electrical design	PNP

O5H503



Diffuse reflection sensor with background suppression

O5H-FPKG/2M

Output function	light-on/dark-on mode; (programmable)	
Max. voltage drop switching output DC [V]	2.5	
Permanent current rating of switching output DC [mA]	200	
Switching frequency DC [Hz]	1000	
Short-circuit protection	yes	
Type of short-circuit protection	pulsed	
Overload protection	yes	
Detection zone		
Range [mm]	50...1800; (white paper 200 x 200 mm 90% remission)	
Range on white object (90 % remission) [mm]	50...1800	
Range on grey object (18 % remission) [mm]	50...900	
Range on black object (6 % remission) [mm]	50...600	
Range adjustable	yes	
Max. light spot diameter [mm]	50	
Light spot dimensions refer to	Range	
Background suppression available	yes	
Operating conditions		
Ambient temperature [°C]	-25...60	
Protection	IP 67	
Tests / approvals		
EMC	EN 60947-5-2	
MTTF [years]	360	
Mechanical data		
Weight [g]	111.55	
Housing	rectangular	
Dimensions [mm]	56 x 18.2 x 46.8	
Materials	housing: PA; bezel: stainless steel; operator interface: TPU	
Lens material	front pane: PMMA	
Lens alignment	side lens	
Displays / operating elements		
Display	switching status	1 x LED, yellow
Teach function	yes	
Electronic lock	yes	
Remarks		
Remarks	operating voltage "supply class 2" according to cULus	
Pack quantity	1 pcs.	



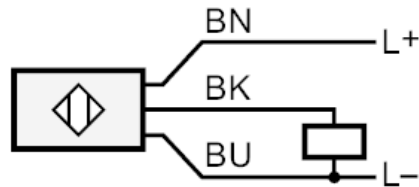
Diffuse reflection sensor with background suppression

O5H-FPKG/2M

Electrical connection

Cable: 2 m, PUR; 3 x 0.34 mm²

Connection



Core colours :
 BK = black
 BN = brown
 BU = blue

Diagrams and graphs



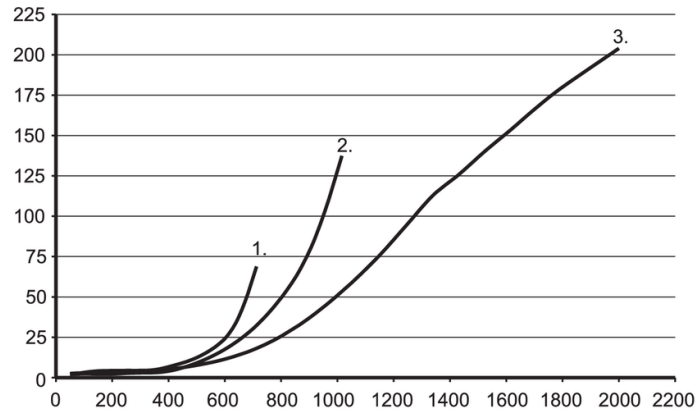
a: sensor
 b: object
 c: background
 x: distance sensor/object [mm]
 y: min. distance object/background [mm]



Diffuse reflection sensor with background suppression

O5H-FPKG/2M

accuracy graph



x: distance sensor/object [mm]

y: min. distance object/background [mm]

1 = object black (6 % remission) , background white (90 % remission)

2 = object grey (18 % remission) , background white (90 % remission)

3 = object white (90 % remission) , background white (90 % remission)