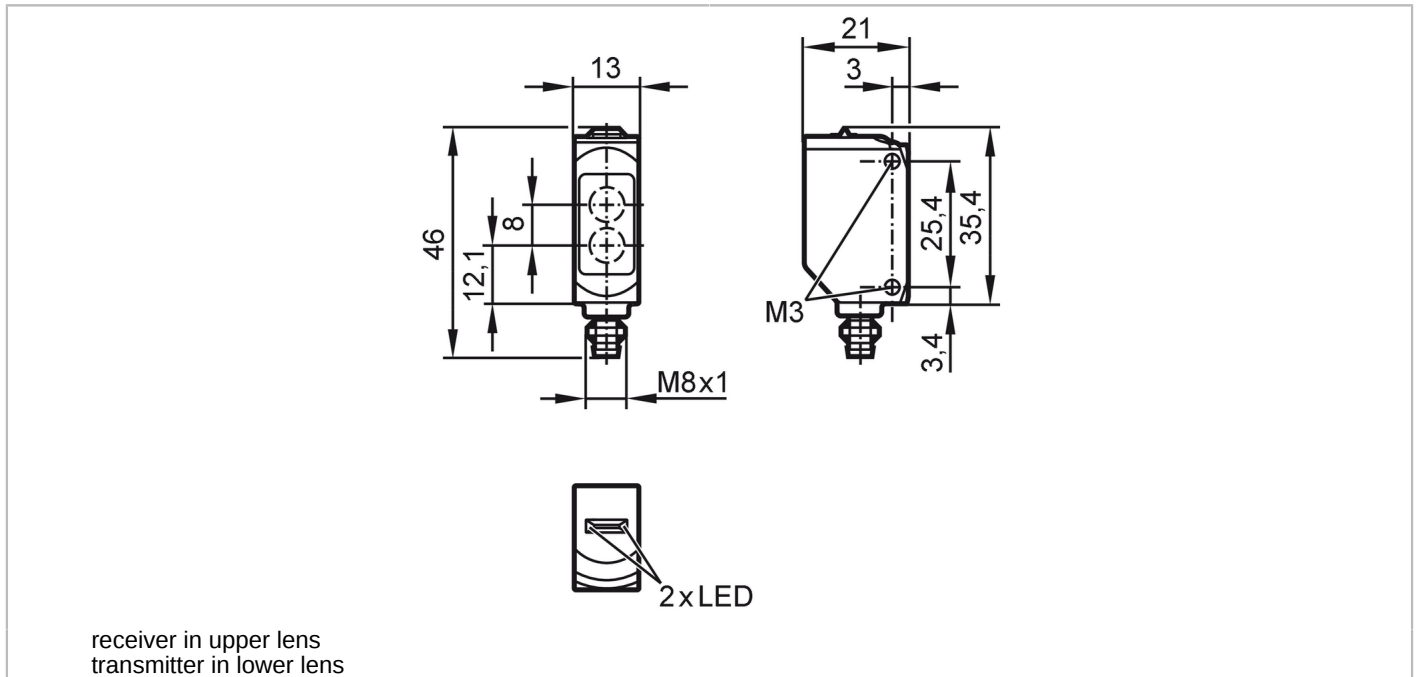


# O6H211



## Diffuse reflection sensor with background suppression

O6H-HPKG/AS/4P



Product characteristics	
Type of light	red light
Housing	rectangular
Application	
Special feature	Background suppression
Function principle	Diffuse reflection sensor
Application	Industrial applications / factory automation
Electrical data	
Operating voltage [V]	10...30 DC
Current consumption [mA]	22; ((24 V))
Protection class	III
Reverse polarity protection	yes
Type of light	red light
Wave length [nm]	633
Outputs	
Electrical design	PNP
Output function	light-on mode
Max. voltage drop switching output DC [V]	2.5
Permanent current rating of switching output DC [mA]	100
Switching frequency DC [Hz]	1000
Short-circuit protection	yes
Type of short-circuit protection	pulsed

# O6H211



## Diffuse reflection sensor with background suppression

O6H-HPKG/AS/4P

Detection zone	
Range [mm]	< 100; (white paper 200 x 200 mm)
Range on white object (90 % remission) [mm]	< 100
Range on grey object (18 % remission) [mm]	4...100
Range on black object (6 % remission) [mm]	8...100
Max. light spot diameter [mm]	6
Light spot dimensions refer to	at maximum range
Background suppression available	yes

Operating conditions	
Ambient temperature [°C]	-25...60
Protection	IP 65; IP 67

Tests / approvals		
EMC	EN 60947-5-2	
MTTF [years]	1113	
UL approval	Ta	-25...40 °C
	Enclosure type	Type 1
	voltage supply	Class 2
	UL approval no.	E001

Mechanical data	
Weight [g]	13
Housing	rectangular
Dimensions [mm]	46 x 13 x 21
Materials	housing: ABS orange; upper part of the housing: PPSU black
Lens material	front pane:PMMA
Lens alignment	side lens
Sealing material	EPDM
Tightening torque [Nm]	0.5

Displays / operating elements		
Display	switching status	1 x LED, yellow
	operation	1 x LED, green

Remarks	
Remarks	operating voltage "supply class 2" according to cULus
Pack quantity	1 pcs.

### Electrical connection - plug

Connector: 1 x M8; coding: A; Contacts: 4; Locking: brass, coated; Sealing: EPDM



# O6H211



## Diffuse reflection sensor with background suppression

O6H-HPKG/AS/4P

### Connection

