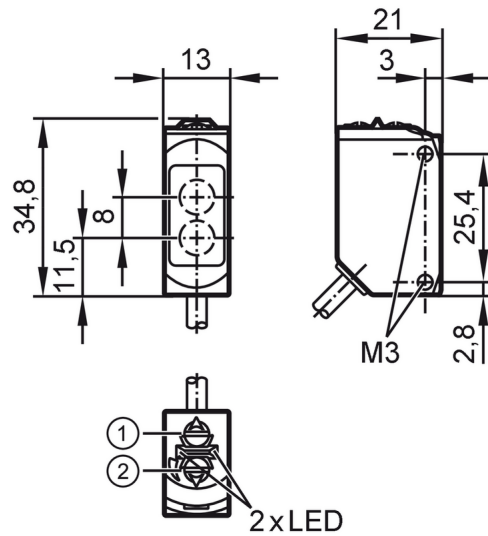


# O6H402



## Diffuse reflection sensor with background suppression

O6H-FPKG/5M



- 1 output function switch
- 2 potentiometer sensitivity receiver in upper lens transmitter in lower lens



Product characteristics	
Type of light	red light
Housing	rectangular
Application	
Special feature	Background suppression
Function principle	Diffuse reflection sensor
Application	suited for use in the machine tool industry
Electrical data	
Operating voltage [V]	10...30 DC
Current consumption [mA]	22; ((24 V))
Protection class	III
Reverse polarity protection	yes
Type of light	red light
Wave length [nm]	633
Outputs	
Electrical design	PNP
Output function	light-on/dark-on mode; (selectable)
Max. voltage drop switching output DC [V]	2.5
Permanent current rating of switching output DC [mA]	100
Switching frequency DC [Hz]	1000
Short-circuit protection	yes
Type of short-circuit protection	pulsed

# O6H402



## Diffuse reflection sensor with background suppression

O6H-FPKG/5M

Detection zone		
Range	[mm]	2...200; (white paper 200 x 200 mm)
Range on white object (90 % remission)	[mm]	2...200
Range on grey object (18 % remission)	[mm]	4...200
Range on black object (6 % remission)	[mm]	8...200
Range adjustable		yes
Max. light spot diameter	[mm]	8
Light spot dimensions refer to		at maximum range
Background suppression available		yes
Operating conditions		
Ambient temperature	[°C]	-25...60
Protection		IP 65; IP 67; IP 68
Tests / approvals		
EMC		EN 60947-5-2
MTTF	[years]	698
UL approval	Ta	-25...60 °C
	Enclosure type	Type 1
	voltage supply	Class 2
	UL approval no.	E022
Mechanical data		
Weight	[g]	133.5
Housing		rectangular
Dimensions	[mm]	34.8 x 13 x 21
Materials		housing: stainless steel (316L/1.4404); plastics: PPSU; Sealing: FKM
Lens material		front pane:PMMA
Lens alignment		side lens
Tightening torque	[Nm]	1; (screws)
Displays / operating elements		
Display	switching status	1 x LED, yellow
	operation	1 x LED, green
Remarks		
Remarks		operating voltage "supply class 2" according to cULus
Pack quantity		1 pcs.

# O6H402



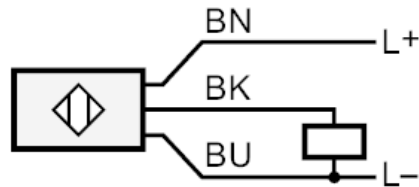
## Diffuse reflection sensor with background suppression

O6H-FPKG/5M

### Electrical connection

Cable: 5 m, PUR; 3 x 0.25 mm<sup>2</sup>

### Connection



Core colours :  
BN = brown  
BK = black  
BU = blue

### Diagrams and graphs



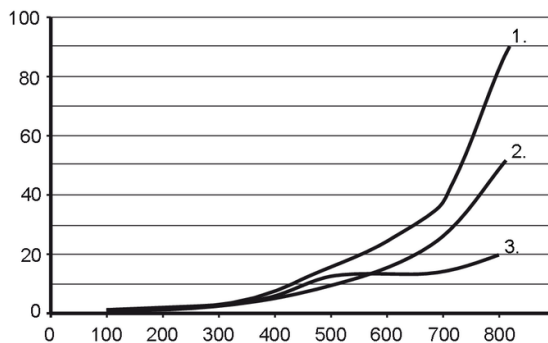
a: sensor  
b: object  
c: background  
x: distance sensor/object [mm]  
y: min. distance object/background [mm]



## Diffuse reflection sensor with background suppression

O6H-FPKG/5M

accuracy graph



x: distance sensor/object [mm]

y: min. distance object/background [mm]

1 = object black (6 % remission) , background white (90 % remission)

2 = object grey (18 % remission) , background white (90 % remission)

3 = object white (90 % remission) , background white (90 % remission)