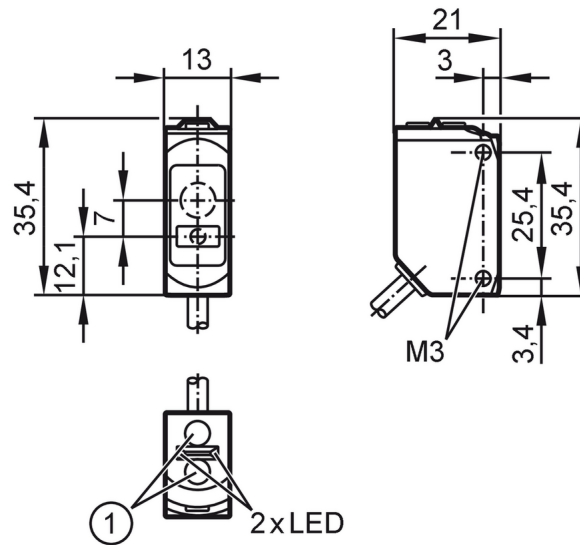


O6H707



Diffuse reflection sensor with background suppression

O6HLFPKG/0,30m/US



- 1 Programmiertaste
receiver in upper lens
transmitter in lower lens



Product characteristics

Type of light	red light
Laser protection class	1
Housing	rectangular

Application

Special feature	Background suppression
Function principle	Diffuse reflection sensor
Application	Industrial applications / factory automation

Electrical data

Operating voltage	[V]	10...30 DC
Current consumption	[mA]	16; ((24 V))
Protection class		III
Reverse polarity protection		yes
Type of light		red light
Wave length	[nm]	650

Outputs

Electrical design		PNP
Output function		light-on/dark-on mode; (selectable)
Max. voltage drop switching output DC	[V]	2.5
Permanent current rating of switching output DC	[mA]	100
Switching frequency DC	[Hz]	1002
Short-circuit protection		yes
Type of short-circuit protection		pulsed



Diffuse reflection sensor with background suppression

O6HLFPKG/0,30m/US

Detection zone		
Range	[mm]	1...200; (white paper 200 x 200 mm)
Range on white object (90 % remission)	[mm]	1...200
Range on grey object (18 % remission)	[mm]	8...170
Range on black object (6 % remission)	[mm]	12...100
Max. light spot diameter	[mm]	2.2
Light spot dimensions refer to		at maximum range
Background suppression available		yes
Interfaces		
Communication interface		IO-Link
Transmission type		COM2 (38,4 kBaud)
IO-Link revision		1.1
SDCI standard		IEC 61131-9
Profiles	Smart Sensor - SSP 0	Generic Profiled Sensor
	Function	Device identification
	Function	Multiple switching signal
	Function	Process data variable
	Function	Device diagnosis
	Function	Teach channel
SIO mode		yes
Required master port type		A
Min. process cycle time	[ms]	10
IO-Link process data (cyclical)	function	bit length
	process value	32
	device status	4
	binary switching information	1
IO-Link functions (acyclical)		application specific tag; operating hours counter; switch-on cycle counter
Supported DeviceIDs	Type of operation	DeviceID
	default	1026
Operating conditions		
Ambient temperature	[°C]	-10...60
Protection		IP 65; IP 67
Tests / approvals		
EMC		EN 60947-5-2
Laser protection class		1
Notes on laser protection	Caution:	laser light
	laser class:	1
		EN / IEC60825-1:2007
		EN / IEC60825-1:2014
		Complies with 21 CFR 1040.10 except for conformance with IEC 60825-1 Ed. 3, as described in Laser Notice No. 56, dated May 8, 2019.
MTTF	[years]	513

O6H707



Diffuse reflection sensor with background suppression

O6HLFPKG/0,30m/US

UL approval	Ta	-25...50 °C
	Enclosure type	Type 1
	voltage supply	Class 2
	File number UL	E174191

Mechanical data	
Weight [g]	34
Housing	rectangular
Dimensions [mm]	35.4 x 13 x 21
Materials	housing: ABS orange; upper part of the housing: PPSU black; Sealing: EPDM
Lens material	front pane:PMMA
Tightening torque [Nm]	0.5; (screws)

Displays / operating elements		
Display	switching status	1 x LED, yellow
	operation	1 x LED, green

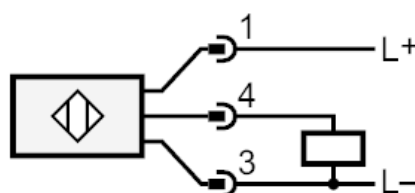
Remarks	
Remarks	operating voltage "supply class 2" according to cULus
Pack quantity	1 pcs.

Electrical connection

Connector: 1 x M12; coding: A; Contacts: 4



Connection



4 OUT / IO-Link



Diffuse reflection sensor with background suppression

O6HLFPKG/0,30m/US

Other data

Repeatability / precision: 6 σ

repeatability of the measured values		
Abstand	white (90 % remission)	black (6 %...90 % remission)
20 mm	0.1 mm	0.5 mm
100 mm	0.5 mm	2.0 mm
200 mm	4 mm	OL
accuracy		
Abstand	white (90 % remission)	black (6 %...90 % remission)
20 mm	± 1.0 mm	± 1.3 mm
100 mm	± 5.0 mm	± 6.5 mm
200 mm	± 20.0 mm	OL

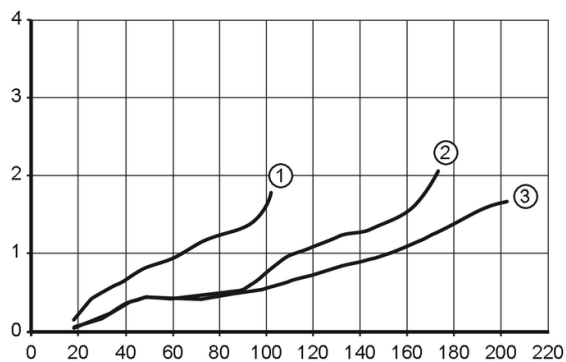
The values apply at

Extraneous light on the object

< 10 klx

Diagrams and graphs

accuracy graph



x: distance sensor/object [mm]

y: min. distance object/background [mm]

1 = object black (6 % remission) , background white (90 % remission)

2 = object grey (18 % remission) , background white (90 % remission)

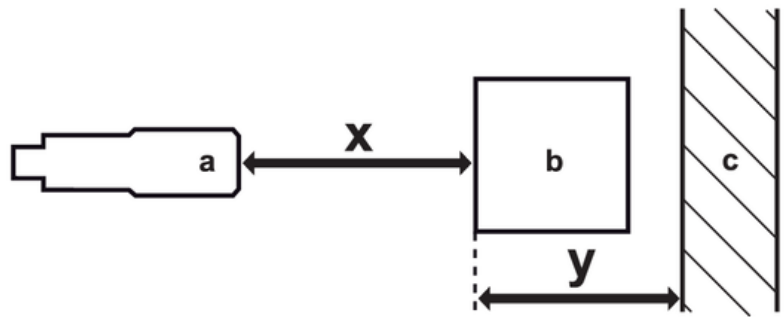
3 = object white (90 % remission) , background white (90 % remission)

O6H707



Diffuse reflection sensor with background suppression

O6HLPKG/0,30m/US



- a: sensor
- b: object
- c: background
- x: distance sensor/object [mm]
- y: min. distance object/background [mm]