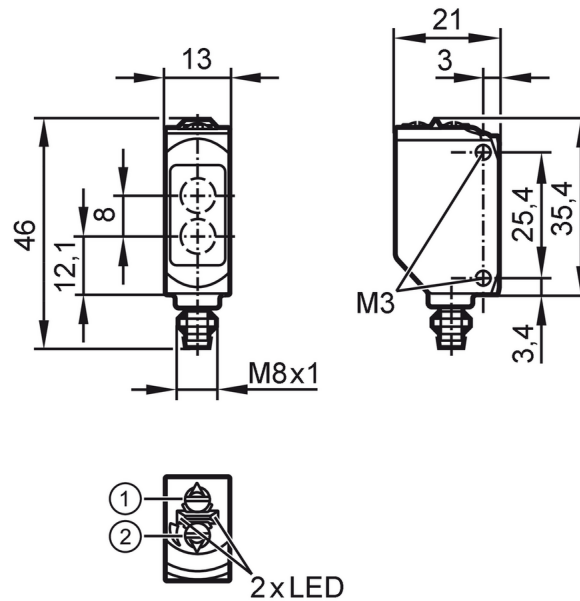




Diffuse reflection sensor

O6T-FPKG/AS/3P



- 1: output function switch
- 2: potentiometer sensitivity receiver in upper lens transmitter in lower lens



Product characteristics

Type of light	red light
Housing	rectangular

Application

Function principle	Diffuse reflection sensor
Application	Industrial applications / factory automation

Electrical data

Operating voltage	[V]	10...30 DC
Current consumption	[mA]	16; ((24 V))
Protection class		III
Reverse polarity protection		yes
Type of light		red light
Wave length	[nm]	633

Outputs

Electrical design		PNP
Output function		light-on/dark-on mode; (selectable)
Max. voltage drop switching output DC	[V]	2.5
Permanent current rating of switching output DC	[mA]	100
Switching frequency DC	[Hz]	1000
Short-circuit protection		yes
Type of short-circuit protection		pulsed

O6T202



Diffuse reflection sensor

O6T-FPKG/AS/3P

Detection zone		
Range	[mm]	5...500; (white paper 200 x 200 mm 90% remission)
Setting range	[mm]	100...500
Range adjustable		yes
Max. light spot diameter	[mm]	15
Light spot dimensions refer to		at maximum range

Operating conditions		
Ambient temperature	[°C]	-25...60
Protection		IP 65; IP 67

Tests / approvals		
EMC		EN 60947-5-2
MTTF	[years]	897
UL approval	Ta	-25...40 °C
	Enclosure type	Type 1
	voltage supply	Class 2
	UL approval no.	E001

Mechanical data		
Weight	[g]	18
Housing		rectangular
Dimensions	[mm]	46 x 13 x 21
Materials		housing: ABS orange; upper part of the housing: PPSU black
Lens material		front pane:PMMA
Lens alignment		side lens
Sealing material		EPDM
Tightening torque	[Nm]	0.5

Displays / operating elements		
Display	switching status	1 x LED, yellow
	operation	1 x LED, green

Remarks		
Remarks		operating voltage "supply class 2" according to cULus
Pack quantity		1 pcs.

Electrical connection		
Connector: 1 x M8; coding: A; Contacts: 3; Locking: brass, coated; Sealing: EPDM		





Diffuse reflection sensor

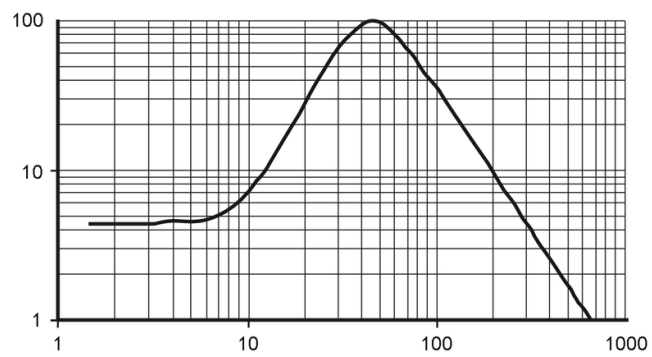
O6T-FPKG/AS/3P

Connection



Diagrams and graphs

excess gain graph



x: distance [mm]

y: excess gain factor