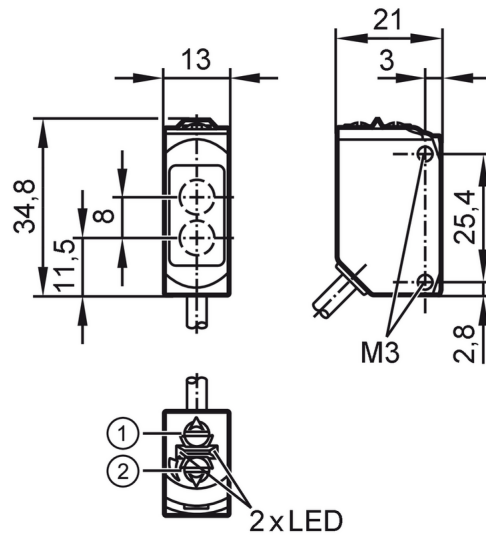


# O6T403



## Diffuse reflection sensor

O6T-FNKG/5M



- 1 output function switch
- 2 potentiometer sensitivity receiver in upper lens transmitter in lower lens



### Product characteristics

Type of light	red light
Housing	rectangular

### Application

Function principle	Diffuse reflection sensor
Application	suited for use in the machine tool industry

### Electrical data

Operating voltage	[V]	10...30 DC
Current consumption	[mA]	16; ((24 V))
Protection class		III
Reverse polarity protection		yes
Type of light		red light
Wave length	[nm]	633

### Outputs

Electrical design		NPN
Output function		light-on/dark-on mode; (selectable)
Max. voltage drop switching output DC	[V]	2.5
Permanent current rating of switching output DC	[mA]	100
Switching frequency DC	[Hz]	1000
Short-circuit protection		yes
Type of short-circuit protection		pulsed

### Detection zone

Range	[mm]	5...500; (white paper 200 x 200 mm 90% remission)
-------	------	---

# O6T403



## Diffuse reflection sensor

O6T-FNKG/5M

Setting range	[mm]	100...500
Range adjustable		yes
Max. light spot diameter	[mm]	15
Light spot dimensions refer to		at maximum range

### Operating conditions

Ambient temperature	[°C]	-25...60
Protection		IP 65; IP 67; IP 68

### Tests / approvals

EMC		EN 60947-5-2
MTTF	[years]	896
UL approval	Ta	-25...60 °C
	Enclosure type	Type 1
	voltage supply	Class 2
	UL approval no.	E018

### Mechanical data

Weight	[g]	133.3
Housing		rectangular
Dimensions	[mm]	34.8 x 13 x 21
Materials		housing: stainless steel (316L/1.4404); plastics: PPSU; Sealing: FKM
Lens material		front pane:PMMA
Lens alignment		side lens
Tightening torque	[Nm]	1; (screws)

### Displays / operating elements

Display	switching status	1 x LED, yellow
	operation	1 x LED, green

### Remarks

Remarks	operating voltage "supply class 2" according to cULus
Pack quantity	1 pcs.

# O6T403



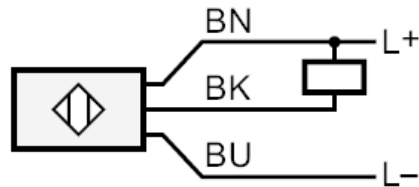
## Diffuse reflection sensor

O6T-FNKG/5M

### Electrical connection

Cable: 5 m, PUR; 3 x 0.25 mm<sup>2</sup>

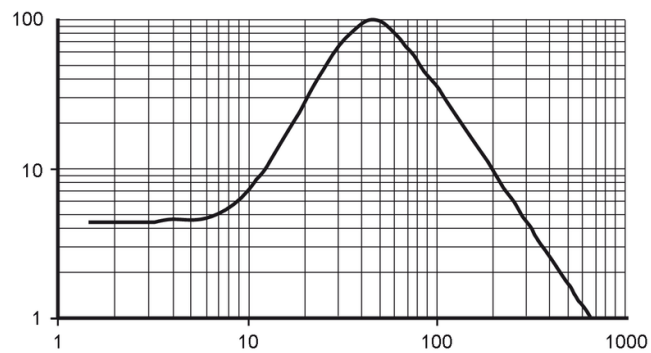
### Connection



Core colours :  
BN = brown  
BK = black  
BU = blue

### Diagrams and graphs

excess gain graph



x: distance [mm]

y: excess gain factor