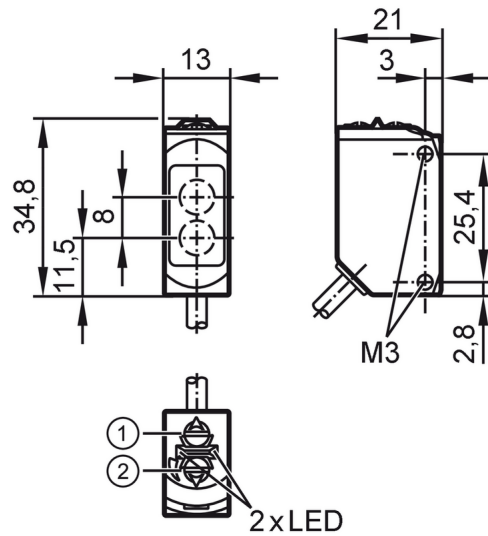


O6T404



Diffuse reflection sensor

O6T-FPKG/0,30m/US



- 1 output function switch
- 2 potentiometer sensitivity receiver in upper lens transmitter in lower lens



Product characteristics

Type of light	red light
Housing	rectangular

Application

Function principle	Diffuse reflection sensor
Application	suited for use in the machine tool industry

Electrical data

Operating voltage	[V]	10...30 DC
Current consumption	[mA]	16; ((24 V))
Protection class		III
Reverse polarity protection		yes
Type of light		red light
Wave length	[nm]	633

Outputs

Electrical design		PNP
Output function		light-on/dark-on mode; (selectable)
Max. voltage drop switching output DC	[V]	2.5
Permanent current rating of switching output DC	[mA]	100
Switching frequency DC	[Hz]	1000
Short-circuit protection		yes
Type of short-circuit protection		pulsed

Detection zone

Range	[mm]	5...500; (white paper 200 x 200 mm 90% remission)
-------	------	---

O6T404



Diffuse reflection sensor

O6T-FPKG/0,30m/US

Setting range	[mm]	100...500
Range adjustable		yes
Max. light spot diameter	[mm]	15
Light spot dimensions refer to		at maximum range

Operating conditions

Ambient temperature	[°C]	-25...60
Protection		IP 65; IP 67; IP 68

Tests / approvals

EMC		EN 60947-5-2
MTTF	[years]	896
UL approval	Ta	-25...50 °C
	Enclosure type	Type 1
	voltage supply	Class 2
	UL approval no.	E020

Mechanical data

Weight	[g]	51.3
Housing		rectangular
Dimensions	[mm]	34.8 x 13 x 21
Materials		housing: stainless steel (316L/1.4404); plastics: PPSU; Sealing: FKM
Lens material		front pane:PMMA
Lens alignment		side lens
Tightening torque	[Nm]	1; (screws)

Displays / operating elements

Display	switching status	1 x LED, yellow
	operation	1 x LED, green

Remarks

Remarks	operating voltage "supply class 2" according to cULus
Pack quantity	1 pcs.

Electrical connection

Cable: 0.3 m, PUR; 3 x 0.25 mm²

Connector: 1 x M12; coding: A; Contacts: 4





Diffuse reflection sensor

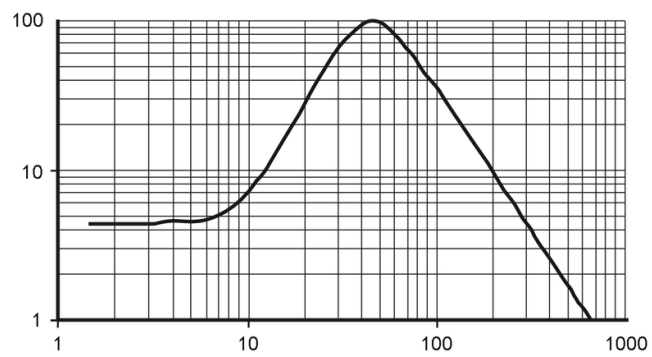
O6T-FPKG/0,30m/US

Connection



Diagrams and graphs

excess gain graph



x: distance [mm]

y: excess gain factor