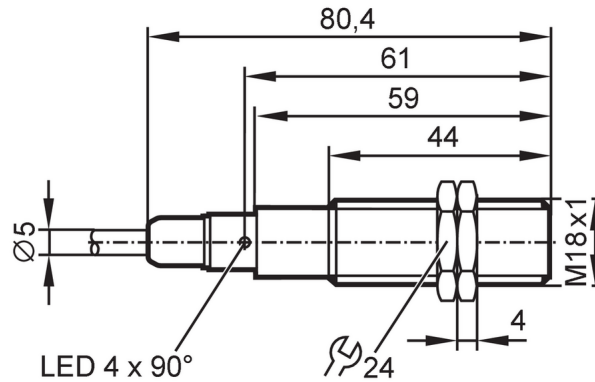


OGH306



Diffuse reflection sensor with background suppression

OGH-HPKG/6M



Product characteristics

Type of light	red light
Housing	threaded type

Application

Special feature	Background suppression
Function principle	Diffuse reflection sensor
Application	food and beverage industry

Electrical data

Operating voltage [V]	10...36 DC
Current consumption [mA]	25
Protection class	II
Reverse polarity protection	yes
Type of light	red light

Outputs

Electrical design	PNP
Output function	light-on mode
Max. voltage drop switching output DC [V]	2.5
Permanent current rating of switching output DC [mA]	150; (200 (...60 °C))
Switching frequency DC [Hz]	1000
Short-circuit protection	yes
Type of short-circuit protection	pulsed
Overload protection	yes

Detection zone

Range [mm]	< 100; (white paper 200 x 200 mm 90% remission)
Range on white object (90 % remission) [mm]	< 100
Range on grey object (18 % remission) [mm]	< 100
Range on black object (6 % remission) [mm]	< 100

OGH306



Diffuse reflection sensor with background suppression

OGH-HPKG/6M

Range adjustable	no
Max. light spot diameter [mm]	9
Light spot dimensions refer to	Range
Background suppression available	yes

Operating conditions

Ambient temperature [°C]	-25...80
Protection	IP 65; IP 67; IP 68; IP 69K

Tests / approvals

EMC	EN 60947-5-2
MTTF [years]	372

Mechanical data

Weight [g]	267.5
Housing	threaded type
Dimensions [mm]	M18 x 1 / L = 80.4
Thread designation	M18 x 1
Materials	housing: stainless steel (316L/1.4404); Sealing: EPDM
Lens material	front pane:PMMA

Displays / operating elements

Display	switching status	1 x LED, yellow
---------	------------------	-----------------

Accessories

Items supplied	lock nuts: 2
----------------	--------------

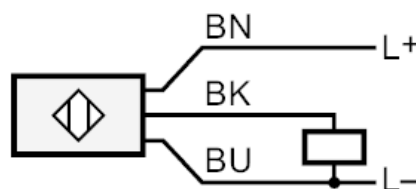
Remarks

Remarks	operating voltage "supply class 2" according to cULus
Pack quantity	1 pcs.

Electrical connection

Cable: 6 m, PVC; 3 x 0.34 mm²

Connection



	Core colours :
BK =	black
BN =	brown
BU =	blue