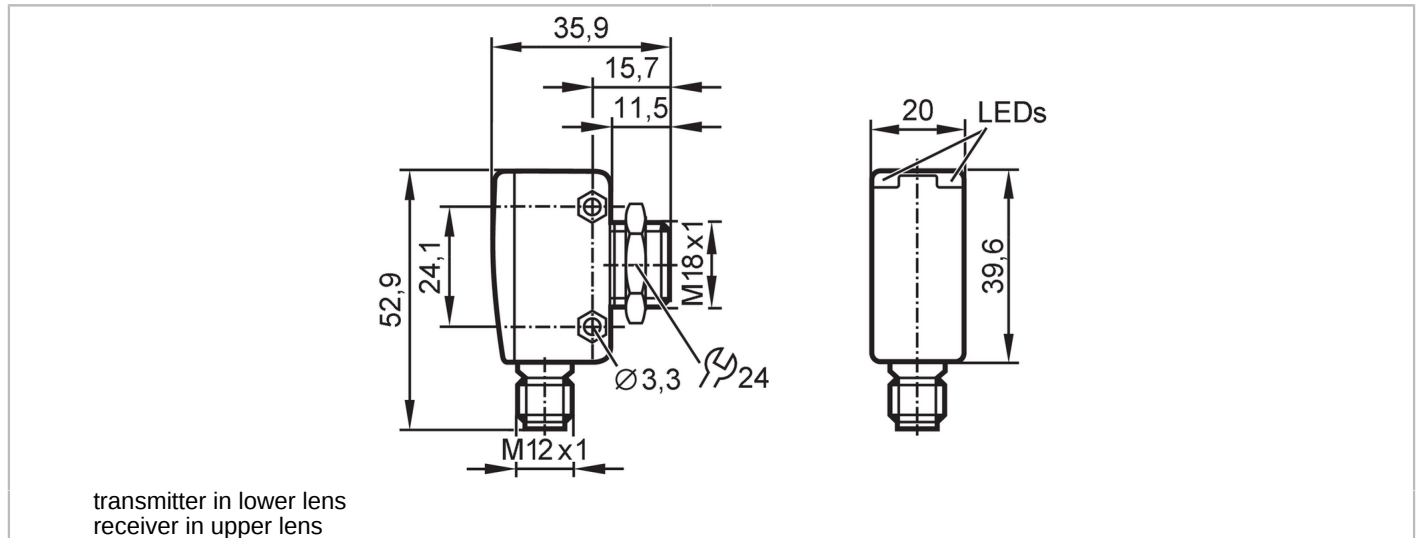


OGH382



Diffuse reflection sensor with background suppression

OGH-HNKG/US/IV4A/CUBE/100MM



Product characteristics		
Type of light		red light
Housing		rectangular with M18 thread
Application		
Special feature		Background suppression
Function principle		Diffuse reflection sensor
Application		food and beverage industry
Electrical data		
Operating voltage	[V]	10...30 DC
Current consumption	[mA]	25
Protection class		III
Reverse polarity protection		yes
Type of light		red light
Wave length	[nm]	645
Outputs		
Electrical design		NPN
Output function		light-on mode
Max. voltage drop switching output DC	[V]	2.5
Permanent current rating of switching output DC	[mA]	200
Switching frequency DC	[Hz]	1000
Short-circuit protection		yes
Type of short-circuit protection		pulsed
Overload protection		yes
Detection zone		
Range	[mm]	< 100; (white paper 200 x 200 mm 90% remission)



Diffuse reflection sensor with background suppression

OGH-HNKG/US/IV4A/CUBE/100MM

Range on white object (90 % remission) [mm]	< 100
Range on grey object (18 % remission) [mm]	< 100
Range on black object (6 % remission) [mm]	< 100
Range adjustable	no
Max. light spot diameter [mm]	7
Light spot dimensions refer to	at maximum range
Background suppression available	yes

Interfaces

Communication interface	IO-Link	
Transmission type	COM2 (38,4 kBaud)	
IO-Link revision	1.1	
SDCI standard	IEC 61131-9	
Profiles	Smart Sensor - SSP 3.1	Measuring Sensor
	Common - I&D	Identification and Diagnosis
	Function	Multiple switching signal
	Function	Teach channel
SIO mode	yes	
Required master port type	A	
Min. process cycle time [ms]	10	
IO-Link process data (cyclical)	function	bit length
	process value	16
	device status	4
	binary switching information	1
IO-Link functions (acyclical)	application specific tag; operating hours counter; switching cycles counter	
Supported DeviceIDs	Type of operation	DeviceID
	default	1138
Note	For further information please see the IODD PDF file under "Downloads"	

Operating conditions

Ambient temperature [°C]	-25...80
Storage temperature [°C]	-40...80
Protection	IP 65; IP 67; IP 68; IP 69K

Tests / approvals

EMC	EN 60947-5-2	
MTTF [years]	782	
UL approval	Ta	-25...80 °C
	Enclosure type	Type 1
	voltage supply	Class 2
	File number UL	E174191

Mechanical data

Weight [g]	74.45
Housing	rectangular with M18 thread
Dimensions [mm]	52.9 x 20 x 35.9
Thread designation	M18 x 1

OGH382



Diffuse reflection sensor with background suppression

OGH-HNKG/US/V4A/CUBE/100MM

Materials	housing: stainless steel (630/1.4542/17-4 PH); rear of the housing: PEI
Lens material	front pane:PEI
Lens alignment	side lens

Displays / operating elements

Display	switching status	1 x LED, yellow
	operation	1 x LED, green

Accessories

Items supplied	lock nuts: 2 x M18, stainless steel
----------------	-------------------------------------

Remarks

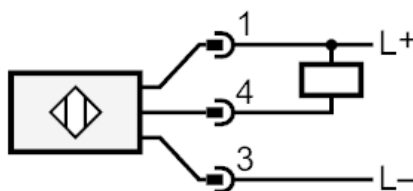
Pack quantity	1 pcs.
---------------	--------

Electrical connection

Connector: 1 x M12; coding: A; Contacts: 4



Connection



4 OUT / IO-Link



Diffuse reflection sensor with background suppression

OGH-HNKG/US/IV4A/CUBE/100MM

Other data

Repeatability / precision: 6 σ

	repeatability of the measured values	
Abstand	white (90 % remission)	black (6 %...90 % remission)
20 mm	0.5 mm	1.0 mm
50 mm	0.8 mm	2.0 mm
100 mm	1.5 mm	4.5 mm
	accuracy	
Abstand	white (90 % remission)	black (6 %...90 % remission)
20 mm	± 1.5 mm	± 1.8 mm
50 mm	± 3.0 mm	± 3.5 mm
100 mm	± 5.0 mm	± 6.5 mm

The values apply at

Extraneous light on the object	< 10 klx
constant ambient conditions	23 °C / 960 hPa
minimum power-on time in minutes	10