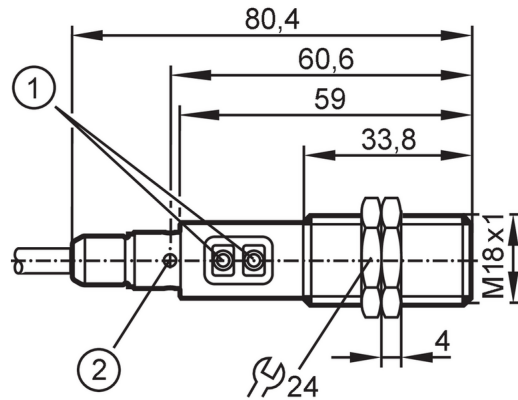


OGH501



Diffuse reflection sensor with background suppression

OGH-FPKG/2M



- 1 programming buttons
- 2 LED 4 x 90°



Product characteristics	
Type of light	red light
Housing	threaded type
Application	
Special feature	Background suppression
Function principle	Diffuse reflection sensor
Application	Industrial applications / factory automation
Electrical data	
Operating voltage [V]	10...36 DC
Current consumption [mA]	25
Protection class	II
Reverse polarity protection	yes
Type of light	red light
Wave length [nm]	624
Outputs	
Electrical design	PNP
Output function	light-on/dark-on mode; (programmable)
Max. voltage drop switching output DC [V]	2.5
Permanent current rating of switching output DC [mA]	150; (200 (...60 °C))
Switching frequency DC [Hz]	1000
Short-circuit protection	yes
Type of short-circuit protection	pulsed
Overload protection	yes
Detection zone	
Range [mm]	15...300; (white paper 200 x 200 mm 90% remission)
Range on white object (90 % remission) [mm]	15...300

OGH501



Diffuse reflection sensor with background suppression

OGH-FPKG/2M

Range on grey object (18 % remission) [mm]	15...290
Range on black object (6 % remission) [mm]	15...190
Factory setting	light-on mode
Range adjustable	yes
Max. light spot diameter [mm]	25
Light spot dimensions refer to	at maximum range
Background suppression available	yes
Operating conditions	
Ambient temperature [°C]	-25...80
Protection	IP 67
Tests / approvals	
EMC	EN 60947-5-2
MTTF [years]	362
Mechanical data	
Weight [g]	124.7
Housing	threaded type
Dimensions [mm]	M18 x 1 / L = 80.4
Thread designation	M18 x 1
Materials	stainless steel (316L/1.4404); PA; LCP; EPDM; TPU
Lens material	front pane:PMMA
Displays / operating elements	
Display	switching status 1 x LED, yellow
Teach function	yes
Electronic lock	yes
Accessories	
Items supplied	lock nuts: 2
Remarks	
Remarks	operating voltage "supply class 2" according to cULus
Pack quantity	1 pcs.

OGH501



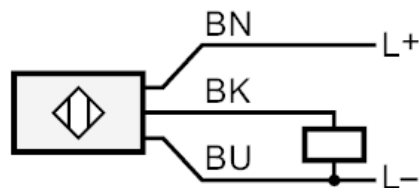
Diffuse reflection sensor with background suppression

OGH-FPKG/2M

Electrical connection

Cable: 2 m, PUR; 3 x 0.34 mm²

Connection



Core colours :
BK = black
BN = brown
BU = blue

Diagrams and graphs



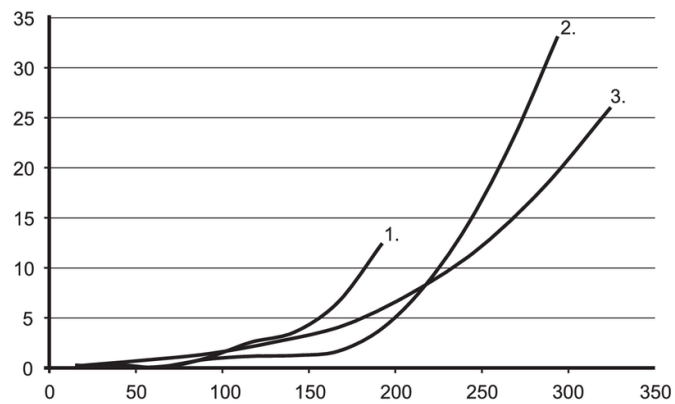
a: sensor
b: object
c: background
x: distance sensor/object [mm]
y: min. distance object/background [mm]



Diffuse reflection sensor with background suppression

OGH-FPKG/2M

accuracy graph



x: distance sensor/object [mm]

y: min. distance object/background [mm]

1 = object black (6 % remission) , background white (90 % remission)

2 = object grey (18 % remission) , background white (90 % remission)

3 = object white (90 % remission) , background white (90 % remission)