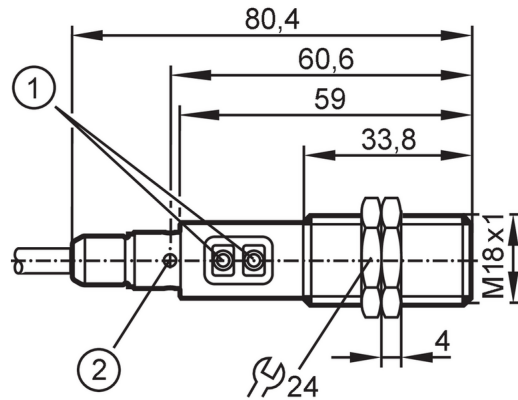


OGT301



Diffuse reflection sensor

OGT-FPKG/6M



- 1 programming buttons
2 LED 4 x 90°



Product characteristics

Type of light	red light
Housing	threaded type

Application

Function principle	Diffuse reflection sensor
Application	food and beverage industry

Electrical data

Operating voltage [V]	10...36 DC
Current consumption [mA]	25
Protection class	II
Reverse polarity protection	yes
Type of light	red light

Outputs

Electrical design	PNP
Output function	light-on/dark-on mode; (programmable)
Max. voltage drop switching output DC [V]	2.5
Permanent current rating of switching output DC [mA]	150; (200 (...60 °C))
Switching frequency DC [Hz]	2000
Short-circuit protection	yes
Type of short-circuit protection	pulsed
Overload protection	yes

Detection zone

Range [mm]	2...800; (white paper 200 x 200 mm 90% remission)
Factory setting	light-on mode
Setting range [mm]	150...800
Range adjustable	yes
Max. light spot diameter [mm]	66
Light spot dimensions refer to	at maximum range

OGT301

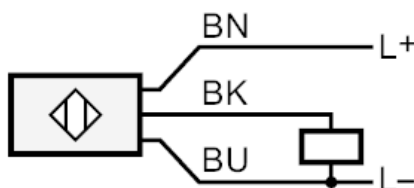


Diffuse reflection sensor

OGT-FPKG/6M

Operating conditions		
Ambient temperature	[°C]	-25...80
Protection		IP 65; IP 67; IP 68; IP 69K
Tests / approvals		
EMC		EN 60947-5-2
MTTF	[years]	473
Mechanical data		
Weight	[g]	255
Housing		threaded type
Dimensions	[mm]	M18 x 1 / L = 80.4
Thread designation		M18 x 1
Materials		stainless steel (316L/1.4404); PA; LCP; EPDM; TPU
Lens material		front pane:PMMA
Displays / operating elements		
Display	switching status	1 x LED, yellow
Teach function		yes
Electronic lock		yes
Accessories		
Items supplied		lock nuts: 2
Remarks		
Remarks		operating voltage "supply class 2" according to cULus
Pack quantity		1 pcs.
Electrical connection		
Cable: 6 m, PVC; 3 x 0.34 mm ²		

Connection



Core colours :
BK = black
BN = brown
BU = blue

OGT301



Diffuse reflection sensor

OGT-FPKG/6M

Diagrams and graphs

excess gain graph

