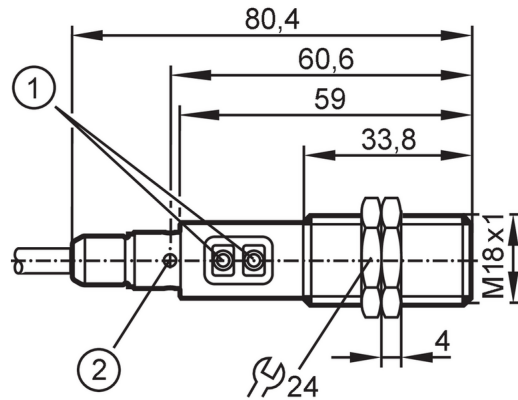


# OGT501



## Diffuse reflection sensor

OGT-FPKG/2M



- 1 programming buttons  
2 LED 4 x 90°



### Product characteristics

Type of light	red light
Housing	threaded type

### Application

Function principle	Diffuse reflection sensor
Application	Industrial applications / factory automation

### Electrical data

Operating voltage	[V]	10...36 DC
Current consumption	[mA]	25
Protection class		II
Reverse polarity protection		yes
Type of light		red light
Wave length	[nm]	624

### Outputs

Electrical design		PNP
Output function		light-on/dark-on mode; (programmable)
Max. voltage drop switching output DC	[V]	2.5
Permanent current rating of switching output DC	[mA]	150; (200 (...60 °C))
Switching frequency DC	[Hz]	2000
Short-circuit protection		yes
Type of short-circuit protection		pulsed
Overload protection		yes

### Detection zone

Range	[mm]	2...800; (white paper 200 x 200 mm 90% remission)
Factory setting		light-on mode
Setting range	[mm]	150...800
Range adjustable		yes
Max. light spot diameter	[mm]	66

# OGT501



## Diffuse reflection sensor

OGT-FPKG/2M

Light spot dimensions refer to \_\_\_\_\_ at maximum range

### Operating conditions

Ambient temperature [°C] \_\_\_\_\_ -25...80

Protection \_\_\_\_\_ IP 67

### Tests / approvals

EMC \_\_\_\_\_ EN 60947-5-2

MTTF [years] \_\_\_\_\_ 473

### Mechanical data

Weight [g] \_\_\_\_\_ 136.3

Housing \_\_\_\_\_ threaded type

Dimensions [mm] \_\_\_\_\_ M18 x 1 / L = 80.4

Thread designation \_\_\_\_\_ M18 x 1

Materials \_\_\_\_\_ stainless steel (316L/1.4404); PA; LCP; EPDM; TPU

Lens material \_\_\_\_\_ front pane:PMMA

### Displays / operating elements

Display \_\_\_\_\_ switching status \_\_\_\_\_ 1 x LED, yellow

Teach function \_\_\_\_\_ yes

Electronic lock \_\_\_\_\_ yes

### Accessories

Items supplied \_\_\_\_\_ lock nuts: 2

### Remarks

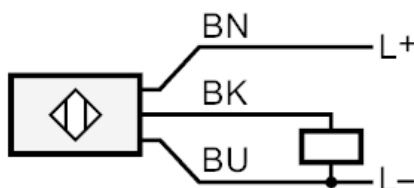
Remarks \_\_\_\_\_ operating voltage "supply class 2" according to cULus

Pack quantity \_\_\_\_\_ 1 pcs.

### Electrical connection

Cable: 2 m, PUR; 3 x 0.34 mm<sup>2</sup>

### Connection



Core colours :  
BK = black  
BN = brown  
BU = blue

# OGT501



## Diffuse reflection sensor

OGT-FPKG/2M

### Diagrams and graphs

excess gain graph

