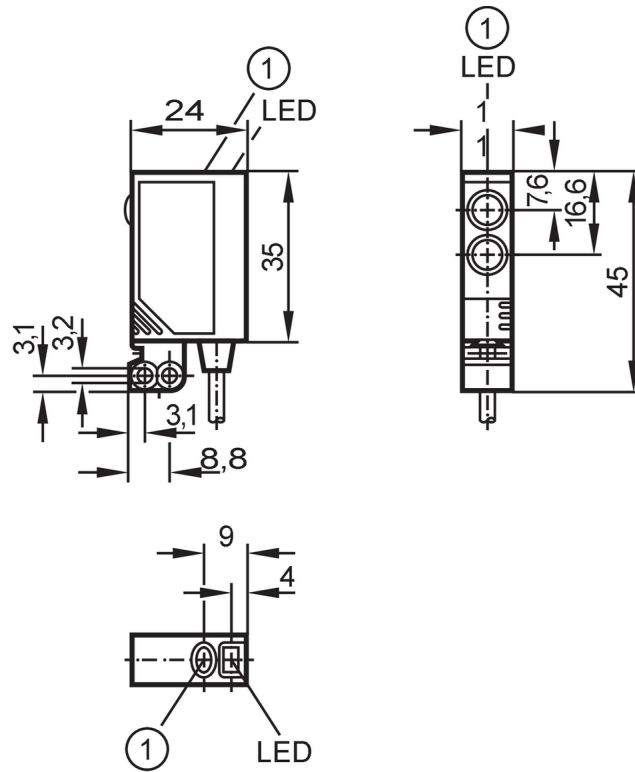




Diffuse reflection sensor

OJB-FPKG/SO



1 pushbutton



Product characteristics

Type of light	red light
Housing	rectangular

Application

Function principle	Diffuse reflection sensor
Application	Industrial applications / factory automation

Electrical data

Operating voltage [V]	10...30 DC
Current consumption [mA]	< 22
Protection class	III
Reverse polarity protection	yes
Type of light	red light
Wave length [nm]	660

Outputs

Electrical design	PNP
Output function	light-on/dark-on mode; (programmable)
Max. voltage drop switching output DC [V]	2.5
Permanent current rating of switching output DC [mA]	200
Switching frequency DC [Hz]	2000
Short-circuit protection	yes

OJ5024



Diffuse reflection sensor

OJB-FPKG/SO

Type of short-circuit protection		pulsed
Overload protection		yes
Detection zone		
Range [mm]		1...600; (white paper 200 x 200 mm 90% remission)
Range adjustable		yes
Max. light spot diameter [mm]		60
Light spot dimensions refer to		at maximum range
Operating conditions		
Ambient temperature [°C]		-25...60
Protection		IP 67
Tests / approvals		
EMC	EN 60947-5-2	
MTTF [years]		854
Mechanical data		
Weight [g]		73.7
Housing		rectangular
Dimensions [mm]		35 x 11 x 24
Materials		housing: ABS; fixture: diecast zinc; LED window: SEPS; pushbutton: SEPS
Lens material		front pane:glass
Lens alignment		side lens
Displays / operating elements		
Display	switching status	1 x LED, yellow
	operation	1 x LED, green
	function	1 x LED, red
Electronic lock		yes
Accessories		
Items supplied		screws: 2 x (M3 x 16 mm)
		Basic clip: 1, E20964
		spring washers: 2
		Nuts: 2
Remarks		
Remarks		operating voltage "supply class 2" according to cULus
Pack quantity		1 pcs.

OJ5024



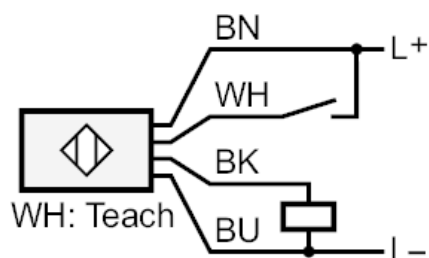
Diffuse reflection sensor

OJB-FPKG/SO

Electrical connection

Cable: 2 m, PVC; 4 x 0.14 mm²

Connection



Core colours :
BK = black
BN = brown
BU = blue
WH = white

Diagrams and graphs

excess gain graph

