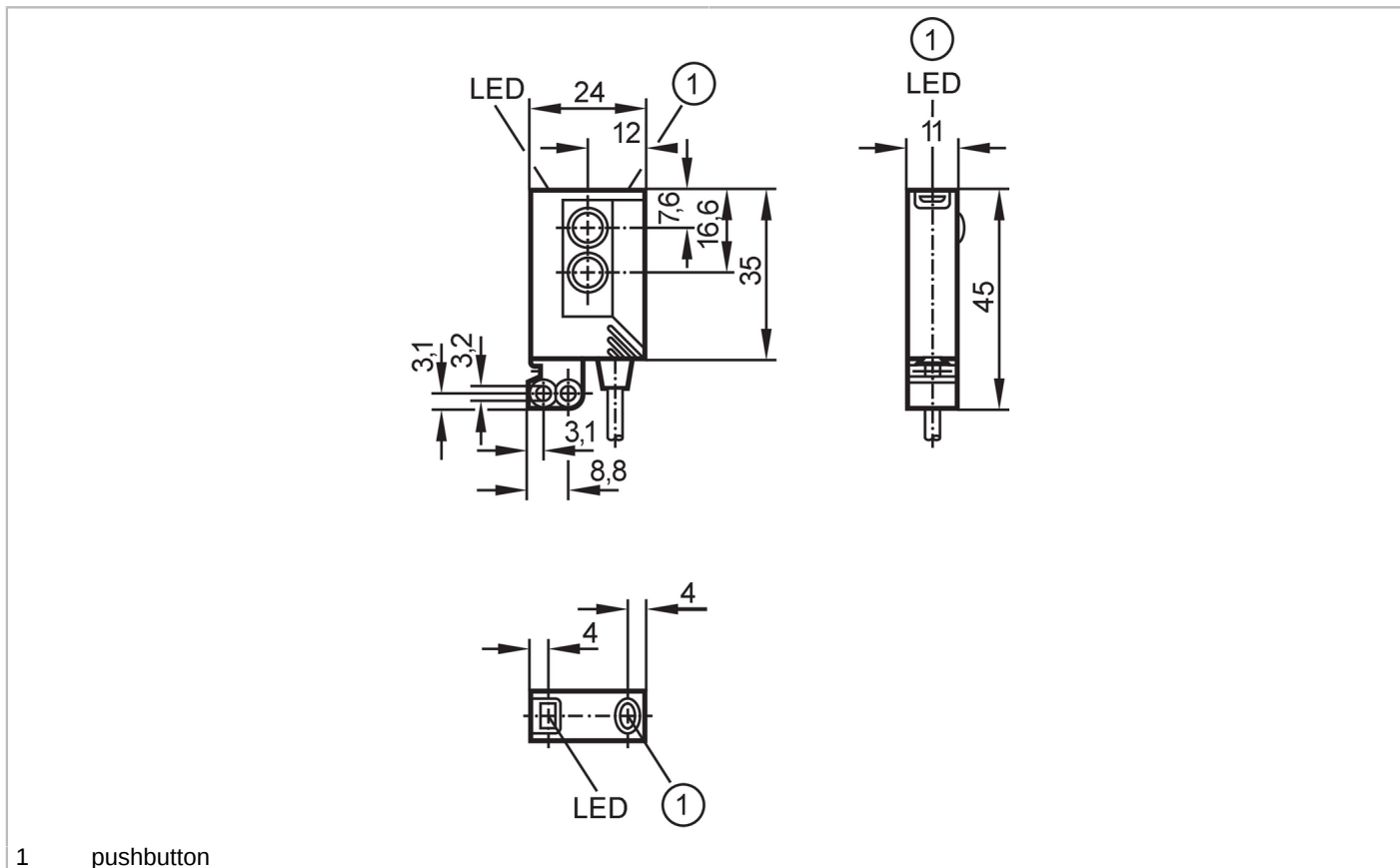




## Diffuse reflection sensor

OJB-FPKG/FO/0,15M/US



1 pushbutton



### Product characteristics

|               |             |
|---------------|-------------|
| Type of light | red light   |
| Housing       | rectangular |

### Application

|                    |  |
|--------------------|--|
| Special feature    | Gold-plated contacts                         |
| Function principle | Diffuse reflection sensor                    |
| Application        | Industrial applications / factory automation |

### Electrical data

|                             |      |            |
|-----------------------------|------|------------|
| Operating voltage           | [V]  | 10...30 DC |
| Current consumption         | [mA] | < 22       |
| Protection class            |      | III        |
| Reverse polarity protection |      | yes        |
| Type of light               |      | red light  |
| Wave length                 | [nm] | 660        |

### Outputs

|   |      |                                       |
|---|------|---------------------------------------|
| Electrical design                               |      | PNP                                   |
| Output function                                 |      | light-on/dark-on mode; (programmable) |
| Max. voltage drop switching output DC           | [V]  | 2.5                                   |
| Permanent current rating of switching output DC | [mA] | 200                                   |

# OJ5061



## Diffuse reflection sensor

OJB-FPKG/FO/0,15M/US

|                                  |      |        |
|----------------------------------|------|--------|
| Switching frequency DC           | [Hz] | 2000   |
| Short-circuit protection         |      | yes    |
| Type of short-circuit protection |      | pulsed |
| Overload protection              |      | yes    |

|                                |      |   |
|--------------------------------|------|---|
| <b>Detection zone</b>          |      |   |
| Range                          | [mm] | 1...600; (white paper 200 x 200 mm 90% remission) |
| Range adjustable               |      | yes   |
| Max. light spot diameter       | [mm] | 60  |
| Light spot dimensions refer to |      | at maximum range                                  |

|                             |      |          |
|-----------------------------|------|----------|
| <b>Operating conditions</b> |      |          |
| Ambient temperature         | [°C] | -25...60 |
| Protection                  |      | IP 67    |

|                          |         |              |
|--------------------------|---------|--------------|
| <b>Tests / approvals</b> |         |              |
| EMC                      |         | EN 60947-5-2 |
| MTTF                     | [years] | 867          |

|                        |      |   |
|------------------------|------|---|
| <b>Mechanical data</b> |      |   |
| Weight                 | [g]  | 53.2  |
| Housing                |      | rectangular   |
| Dimensions             | [mm] | 35 x 24 x 11  |
| Materials              |      | housing: ABS; fixture: diecast zinc; LED window: SEPS; pushbutton: SEPS |
| Lens material          |      | front pane:glass  |
| Lens alignment         |      | front lens  |

|                                      |                  |                 |
|--------------------------------------|------------------|-----------------|
| <b>Displays / operating elements</b> |                  |                 |
| Display                              | switching status | 1 x LED, yellow |
|                                      | operation        | 1 x LED, green  |
|                                      | function         | 1 x LED, red    |
| Electronic lock                      |                  | yes             |

|                    |  |   |
|--------------------|--|---|
| <b>Accessories</b> |  |   |
| Items supplied     |  | Basic clip: 1, E20964<br>screws: 2 x (M3 x 16 mm)<br>spring washers: 2<br>Nuts: 2 |

|                |  |   |
|----------------|--|---|
| <b>Remarks</b> |  |   |
| Remarks        |  | operating voltage "supply class 2" according to cULus |
| Pack quantity  |  | 1 pcs.  |

|                              |  |  |
|------------------------------|--|--|
| <b>Electrical connection</b> |  |  |
| Cable: 0.15 m, PVC           |  |  |

Connector: 1 x M12; coding: A; Contacts: 4, gold-plated; Moulded body: PVC; Locking: stainless steel (316L/1.4404)



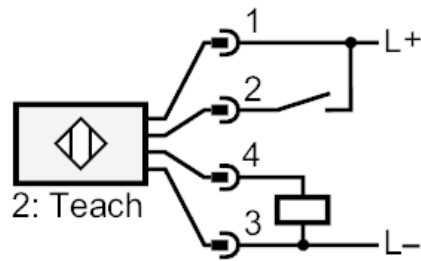
# OJ5061



## Diffuse reflection sensor

OJB-FPKG/FO/0,15M/US

### Connection



2 Teach

### Diagrams and graphs

excess gain graph

