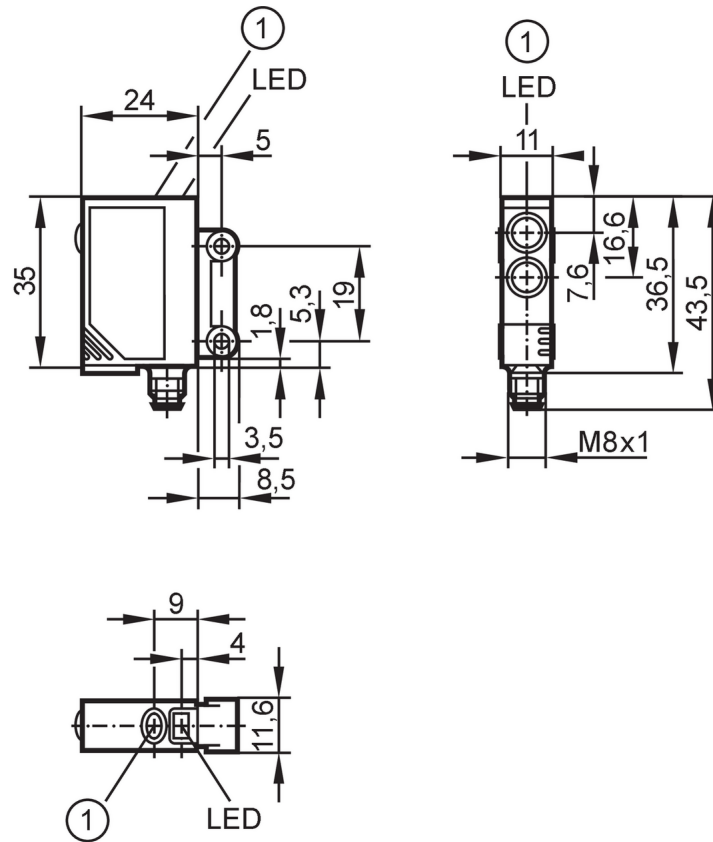




## Diffuse reflection sensor

OJB-FPKG/SO/AS



1 pushbutton



### Product characteristics

Type of light	red light
Housing	rectangular

### Application

Function principle	Diffuse reflection sensor
Application	Industrial applications / factory automation

### Electrical data

Operating voltage [V]	10...30 DC
Current consumption [mA]	< 22
Protection class	III
Reverse polarity protection	yes
Type of light	red light
Wave length [nm]	660

### Outputs

Electrical design	PNP
Output function	light-on/dark-on mode; (programmable)
Max. voltage drop switching output DC [V]	2.5
Permanent current rating of switching output DC [mA]	200

# OJ5122



## Diffuse reflection sensor

OJB-FPKG/SO/AS

Switching frequency DC	[Hz]	2000
Short-circuit protection		yes
Type of short-circuit protection		pulsed
Overload protection		yes

### Detection zone

Range	[mm]	1...600; (white paper 200 x 200 mm 90% remission)
Range adjustable		yes
Max. light spot diameter	[mm]	60
Light spot dimensions refer to		at maximum range

### Operating conditions

Ambient temperature	[°C]	-25...60
Protection		IP 67

### Tests / approvals

EMC		EN 60947-5-2
MTTF	[years]	854

### Mechanical data

Weight	[g]	27.3
Housing		rectangular
Dimensions	[mm]	35 x 11 x 24
Materials		housing: ABS; LED window: SEPS; pushbutton: SEPS
Lens material		front pane:glass
Lens alignment		side lens

### Displays / operating elements

Display	switching status	1 x LED, yellow
	operation	1 x LED, green
	function	1 x LED, red
Electronic lock		yes

### Accessories

Items supplied		screws: 2
		spring washers: 2
		Nuts: 2

### Remarks

Remarks		operating voltage "supply class 2" according to cULus
Pack quantity		1 pcs.

### Electrical connection

Connector: 1 x M8; coding: A; Contacts: 4





## Diffuse reflection sensor

OJB-FPKG/SO/AS

### Connection



2 Teach

### Diagrams and graphs

excess gain graph

