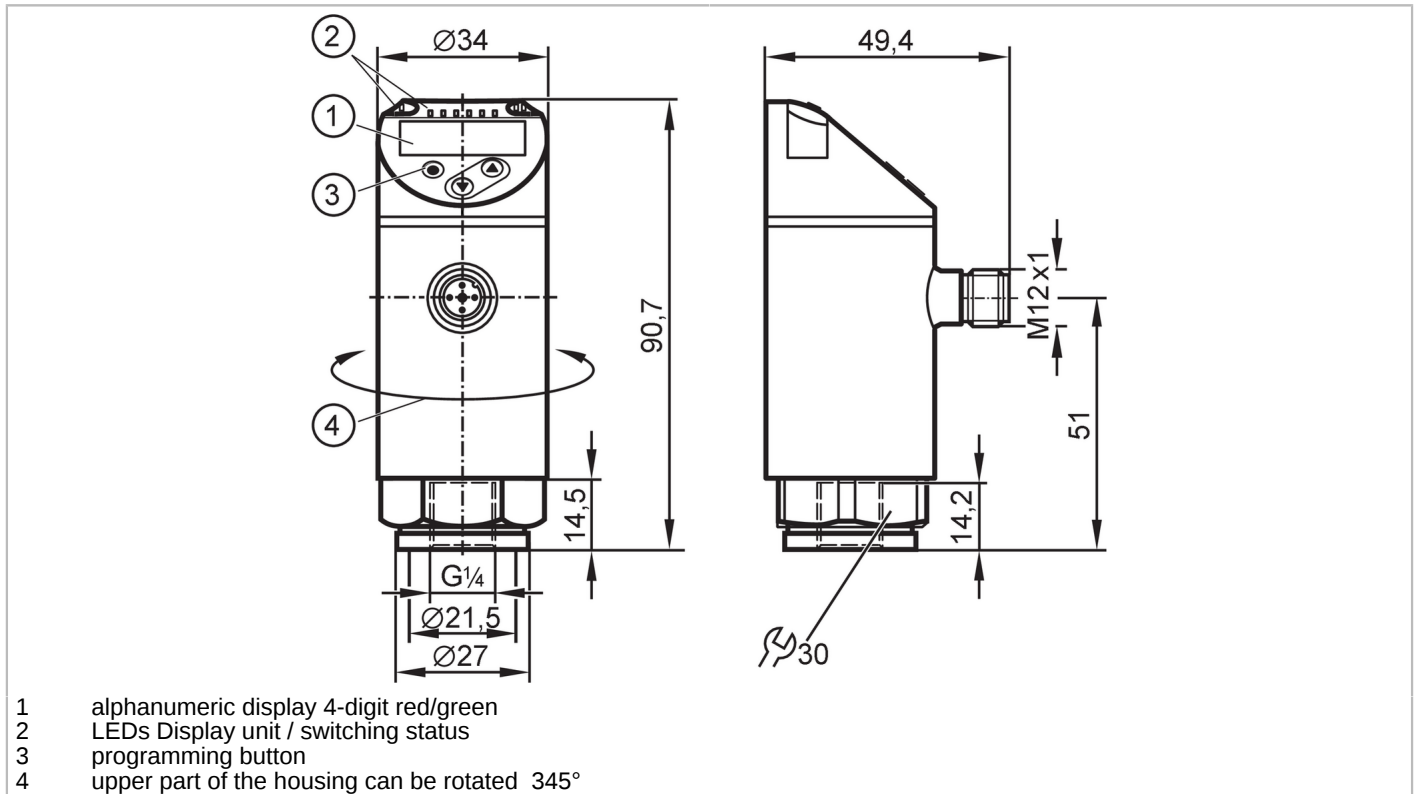


# PN7191



## Pressure sensor with display

PN-250-SER14-QFRKG/US/ IV



### Product characteristics

Number of inputs and outputs	Number of digital outputs: 2		
Measuring range	0...250 bar	0...3625 psi	0...25 MPa
Process connection	threaded connection G 1/4 internal thread		

### Application

Special feature	Gold-plated contacts		
Measuring element	ceramic-capacitive pressure measuring cell		
Application	for industrial applications		
Media	use in gases at pressures > 25 bar only on request		
Conditionally suitable for	use in gases at pressures > 25 bar only on request		
Medium temperature [°C]	-25...80		
Min. burst pressure	1000 bar	14500 psi	100 MPa
Pressure rating	500 bar	7250 psi	50 MPa
Vacuum resistance	-1000 mbar	-0.1 MPa	
Type of pressure	relative pressure		

### Electrical data

Operating voltage [V]	18...30 DC; (to SELV/PELV)		
Current consumption [mA]	< 35		
Min. insulation resistance [MΩ]	100; (500 V DC)		
Protection class	III		
Reverse polarity protection	yes		
Power-on delay time [s]	< 0.3		

# PN7191



## Pressure sensor with display

PN-250-SER14-QFRKG/US/ IV

Integrated watchdog	yes
---------------------	-----

### Inputs / outputs

Number of inputs and outputs	Number of digital outputs: 2
------------------------------	------------------------------

### Outputs

Total number of outputs	2
Output signal	switching signal; IO-Link; (configurable)
Electrical design	PNP/NPN
Number of digital outputs	2
Output function	normally open / normally closed; (parameterisable)
Max. voltage drop switching output DC [V]	2.5
Permanent current rating of switching output DC [mA]	150; (200 (...60 °C) 250 (...40 °C))
Switching frequency DC [Hz]	< 170
Short-circuit protection	yes
Type of short-circuit protection	pulsed
Overload protection	yes

### Measuring/setting range

Measuring range	0...250 bar	0...3625 psi	0...25 MPa
Factory setting / CMPT = 2			
Set point SP	2...250 bar	40...3620 psi	0.2...25 MPa
Reset point rP	1...249 bar	20...3620 psi	0.1...24.9 MPa
Min. difference between SP and rP	1 bar	20 psi	0.1 MPa
In steps of	1 bar	20 psi	0.1 MPa
Status_B High Resolution / CMPT = 3			
Set point SP	2...250 bar	30...3626 psi	0.2...25 MPa
Reset point rP	1...249 bar	12...3628 psi	0.1...24.9 MPa
Min. difference between SP and rP	2 bar	19 psi	0.2 MPa
In steps of	1 bar	1 psi	0.1 MPa

### Accuracy / deviations

Switch point accuracy [% of the span]	< ± 0,5
Repeatability [% of the span]	< ± 0,1; (with temperature fluctuations < 10 K)
Characteristics deviation [% of the span]	< ± 0,25 (BFSL) / < ± 0,5 (LS); (BFSL = Best Fit Straight Line; LS = limit value setting)
Hysteresis deviation [% of the span]	< ± 0,25
Long-term stability [% of the span]	< ± 0,05; (per 6 months)
Temperature coefficient zero point [% of the span / 10 K]	< ± 0,2; (0...80 °C)
Temperature coefficient span [% of the span / 10 K]	< ± 0,2; (0...80 °C)



## Pressure sensor with display

PN-250-SER14-QFRKG/US/ IV

Response times										
Response time	[ms]	< 3								
Delay time programmable dS, dr	[s]	0...50								
Damping process value dAP	[s]	0...4								
Software / programming										
Parameter setting options	hysteresis / window; normally open / normally closed; switching logic; switch-on/switch-off delay; Damping; Display unit									
Interfaces										
Communication interface	IO-Link									
Transmission type	COM2 (38,4 kBaud)									
IO-Link revision	1.1									
SDCI standard	IEC 61131-9									
SIO mode	yes									
Required master port type	A; (when pin 2 not connected: B)									
Supported DeviceIDs	<table border="1"> <thead> <tr> <th>Type of operation</th> <th>DeviceID</th> </tr> </thead> <tbody> <tr> <td>Factory setting / CMPT = 2</td> <td>400</td> </tr> <tr> <td>Status_B High Resolution / CMPT = 3</td> <td>598</td> </tr> </tbody> </table>	Type of operation	DeviceID	Factory setting / CMPT = 2	400	Status_B High Resolution / CMPT = 3	598			
Type of operation	DeviceID									
Factory setting / CMPT = 2	400									
Status_B High Resolution / CMPT = 3	598									
Note	For further information please see the IODD PDF file under "Downloads"									
Factory setting / CMPT = 2										
Profiles	Smart Sensor - SSP 0	Generic Profiled Sensor								
	Function	Device identification								
	Function	Process data variable								
	Function	Device diagnosis								
Min. process cycle time	[ms]	2.3								
IO-Link resolution pressure	1 bar	0.1 MPa								
IO-Link process data (cyclical)	<table border="1"> <thead> <tr> <th>function</th> <th>bit length</th> </tr> </thead> <tbody> <tr> <td>pressure</td> <td>14</td> </tr> <tr> <td>binary switching information</td> <td>2</td> </tr> </tbody> </table>	function	bit length	pressure	14	binary switching information	2			
function	bit length									
pressure	14									
binary switching information	2									
IO-Link functions (acyclical)	application specific tag									
Status_B High Resolution / CMPT = 3										
Profiles	Smart Sensor - SSP 3.1	Measuring Sensor								
	Common - I&D	Identification and Diagnosis								
Min. process cycle time	[ms]	3								
IO-Link resolution pressure	0.1 bar	0.01 MPa								
IO-Link process data (cyclical)	<table border="1"> <thead> <tr> <th>function</th> <th>bit length</th> </tr> </thead> <tbody> <tr> <td>pressure</td> <td>16</td> </tr> <tr> <td>device status</td> <td>4</td> </tr> <tr> <td>binary switching information</td> <td>2</td> </tr> </tbody> </table>	function	bit length	pressure	16	device status	4	binary switching information	2	
function	bit length									
pressure	16									
device status	4									
binary switching information	2									
IO-Link functions (acyclical)	application specific tag									
Operating conditions										
Ambient temperature	[°C]	-25...80								
Storage temperature	[°C]	-40...100								
Protection	IP 65; IP 67									

# PN7191



## Pressure sensor with display

PN-250-SER14-QFRKG/US/ IV

Tests / approvals		
EMC	DIN EN 61000-6-2	
	DIN EN 61000-6-3	
Shock resistance	DIN EN 60068-2-27	50 g (11 ms)
Vibration resistance	DIN EN 60068-2-6	20 g (10...2000 Hz)
MTTF [years]		256
UL approval	UL approval no.	J039
Pressure Equipment Directive	Sound engineering practice; can be used for group 2 fluids; group 1 fluids on request	

Mechanical data		
Weight [g]		278.1
Housing		cylindrical
Dimensions [mm]		Ø 34 / L = 90.7
Materials	stainless steel (316L/1.4404); PBT+PC-GF30; PBT-GF20; PC	
Materials (wetted parts)	stainless steel (316L/1.4404); Al2O3 (ceramics); FKM	
Min. pressure cycles		100 million
Tightening torque [Nm]	25...35; (recommended tightening torque; depends on the lubrication, the seal and the pressure load)	
Process connection	threaded connection G 1/4 internal thread	
Restrictor element integrated	no (can be retrofitted)	

Displays / operating elements		
Display	Display unit	3 x LED, green (bar, psi, MPa)
	switching status	2 x LED, yellow
	measured values	alphanumeric display, red/green 4-digit

Remarks		
Pack quantity		1 pcs.

Electrical connection		
Connector: 1 x M12; coding: A; Contacts: 4, gold-plated		
		

# PN7191



## Pressure sensor with display

PN-250-SER14-QFRKG/US/ IV

### Connection



OUT1	switching output IO-Link
OUT2	switching output colours to DIN EN 60947-5-2 Core colours :
BK =	black
BN =	brown
BU =	blue
WH =	white