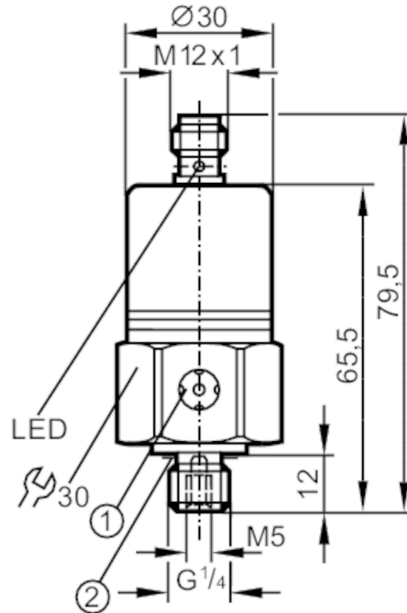


# PP0523



## Pressure switch with ceramic measuring cell

PP-025-RBG14-QFNKG/US/ IV



- 1 ventilation
- 2 Sealing



### Product characteristics

Number of inputs and outputs	Number of digital outputs: 2		
Measuring range	0...25 bar	0...363 psi	0...2.5 MPa
Process connection	threaded connection G 1/4 external thread internal thread:M5		

### Application

Application	for industrial applications		
Media	liquids and gases		
Medium temperature [°C]	-25...90		
Min. burst pressure	350 bar	5075 psi	35 MPa
Pressure rating	150 bar	2175 psi	15 MPa
Type of pressure	relative pressure		

### Electrical data

Operating voltage [V]	9.6...36 DC; (communication mode: 18...32)		
Current consumption [mA]	< 45		
Min. insulation resistance [MΩ]	100; (500 V DC)		
Protection class	III		
Reverse polarity protection	yes		
Power-on delay time [s]	0.3		

### Inputs / outputs

Number of inputs and outputs	Number of digital outputs: 2		
------------------------------	------------------------------	--	--

### Outputs

Total number of outputs	2		
Output signal	switching signal		

# PP0523



## Pressure switch with ceramic measuring cell

PP-025-RBG14-QFNKG/US/ /V

Electrical design	NPN
Number of digital outputs	2
Output function	normally open / normally closed; (parameterisable)
Max. voltage drop switching output DC [V]	2
Permanent current rating of switching output DC [mA]	250
Switching frequency DC [Hz]	170
Short-circuit protection	yes
Type of short-circuit protection	pulsed
Overload protection	yes

### Measuring/setting range

Measuring range	0...25 bar	0...363 psi	0...2.5 MPa
Set point SP	0.2...25 bar	4...362 psi	0.02...2.5 MPa
Reset point rP	0.1...24.9 bar	2...360 psi	0.01...2.49 MPa
In steps of	0.1 bar	2 psi	0.01 MPa
Factory setting		SP1 = 6.3 bar	rP1 = 5.8 bar
		SP2 = 18.8 bar	rP2 = 18.3 bar
		OUT1 = Hno	OUT2 = Hno

### Accuracy / deviations

Switch point accuracy [% of the span]	< ± 0,5
Repeatability [% of the span]	< ± 0,1; (with temperature fluctuations < 10 K)
Characteristics deviation [% of the span]	< ± 0,25 (BFSL) / < ± 0,5 (LS); (BFSL = Best Fit Straight Line; LS = limit value setting)
Zero-point stabilisation [% of the span]	1,0; (display, switching output (see operating instructions zero-point behaviour ))
Hysteresis deviation [% of the span]	< ± 0,1
Long-term stability [% of the span]	< ± 0,1; (per year)
Temperature coefficient zero point [% of the span / 10 K]	< ± 0,2; (0...80 °C)
Temperature coefficient span [% of the span / 10 K]	< ± 0,2; (0...80 °C)

### Response times

Response time [ms]	< 3
Damping process value dAP in steps [s]	0,003 - 0,006 - 0,010 - 0,017 - 0,060 - 0,125 - 0,250 - 0,500

### Operating conditions

Ambient temperature [°C]	-25...85
Storage temperature [°C]	-40...100
Protection	IP 68; (7 days / 1 m water depth / 0.1 bar)

# PP0523



## Pressure switch with ceramic measuring cell

PP-025-RBG14-QFNKG/US/ /V

Tests / approvals		
EMC	immunity	EN 61000-6-2
	EN 61000-4-2 ESD	4 kV contact discharge / 15 kV air discharge
	EN 61000-4-3 HF radiated	20 V/m
	EN 61000-4-4 Burst	4 kV coupling clamp
	EN 61000-4-5 Surge	0,5 kV supply / 1 kV signal for DC units
	EN 61000-4-6 HF conducted	30 V
Shock resistance	DIN IEC 60068-2-27 / DIN IEC 60068-2-29	1000 g
	DIN EN 61373	category 3
Vibration resistance	DIN IEC 68-2-6	20 g (10...2000 Hz)
	DIN EN 60068-2-64	14 g
	DIN EN 61373	category 2
MTTF [years]		309
Pressure Equipment Directive	Sound engineering practice; can be used for group 2 fluids; group 1 fluids on request	

Mechanical data		
Weight [g]		227
Housing		cylindrical
Dimensions [mm]		Ø 30 / L = 79.5
Materials	stainless steel (304/1.4301); FKM; EPDM/X; PA	
Materials (wetted parts)	stainless steel (303/1.4305); ceramics; FKM	
Min. pressure cycles		100 million
Process connection	threaded connection G 1/4 external thread internal thread:M5	
Restrictor element integrated		no (can be retrofitted)

Displays / operating elements		
Display	operation	2 x LED, green
	switching status	2 x LED, yellow
Teach function		yes

Remarks		
Pack quantity		1 pcs.

### Electrical connection

Connector: 1 x M12; coding: A; Contacts: 4



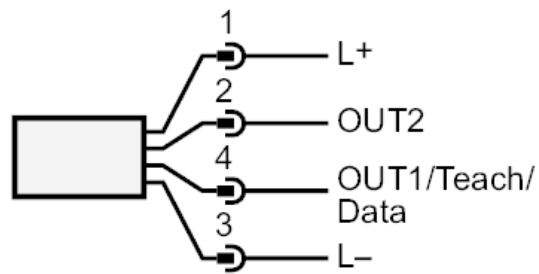
# PP0523



## Pressure switch with ceramic measuring cell

PP-025-RBG14-QFNKG/US/ IV

### Connection



OUT1	switching output
OUT2	switching output Diagnostic output