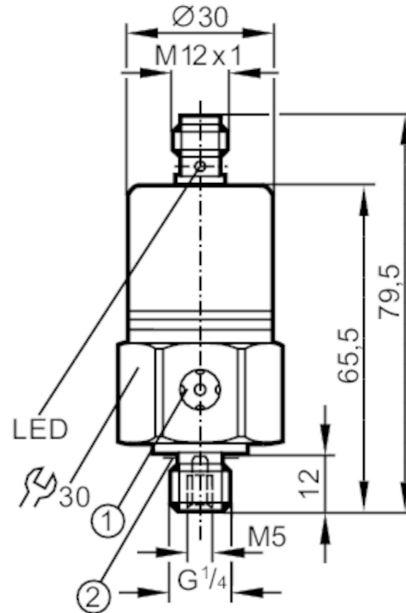


# PP0524



## Pressure switch with ceramic measuring cell

PP-010-RBG14-QFNKG/US/ IV



- 1 ventilation
- 2 Sealing



### Product characteristics

Number of inputs and outputs	Number of digital outputs: 2			
Measuring range	-1...10 bar	-14.5...145 psi	-100...1000 kPa	-0.1...1 MPa
Process connection	threaded connection G 1/4 external thread internal thread:M5			

### Application

Application	for industrial applications		
Media	liquids and gases		
Medium temperature [°C]	-25...90		
Min. burst pressure	150 bar	2175 psi	15 MPa
Pressure rating	75 bar	1087 psi	7.5 MPa
Type of pressure	relative pressure; vacuum		

### Electrical data

Operating voltage [V]	9.6...36 DC; (communication mode: 18...32)		
Current consumption [mA]	< 45		
Min. insulation resistance [MΩ]	100; (500 V DC)		
Protection class	III		
Reverse polarity protection	yes		
Power-on delay time [s]	0.3		

### Inputs / outputs

Number of inputs and outputs	Number of digital outputs: 2
------------------------------	------------------------------

### Outputs

Total number of outputs	2
Output signal	switching signal

# PP0524



## Pressure switch with ceramic measuring cell

PP-010-RBG14-QFNKG/US/ /V

Electrical design	NPN
Number of digital outputs	2
Output function	normally open / normally closed; (parameterisable)
Max. voltage drop switching output DC [V]	2
Permanent current rating of switching output DC [mA]	250
Switching frequency DC [Hz]	170
Short-circuit protection	yes
Type of short-circuit protection	pulsed
Overload protection	yes

### Measuring/setting range

Measuring range	-1...10 bar	-14.5...145 psi	-100...1000 kPa	-0.1...1 MPa
Set point SP	-0.9...10 bar	-13...145 psi		-0.09...1 MPa
Reset point rP	-0.95...9.95 bar	-14...144 psi		-0.095...0.995 MPa
In steps of	0.05 bar	1 psi		0.005 MPa
Factory setting		SP1 = 2.50 bar		rP1 = 2.30 bar
		SP2 = 7.50 bar		rP2 = 7.30 bar
		OUT1 = Hno		OUT2 = Hno

### Accuracy / deviations

Switch point accuracy [% of the span]	< ± 0,5
Repeatability [% of the span]	< ± 0,1; (with temperature fluctuations < 10 K)
Characteristics deviation [% of the span]	< ± 0,25 (BFSL) / < ± 0,5 (LS); (BFSL = Best Fit Straight Line; LS = limit value setting)
Zero-point stabilisation [% of the span]	1,0; (display, switching output (see operating instructions zero-point behaviour ))
Hysteresis deviation [% of the span]	< ± 0,1
Long-term stability [% of the span]	< ± 0,1; (per year)
Temperature coefficient zero point [% of the span / 10 K]	< ± 0,2; (0...80 °C)
Temperature coefficient span [% of the span / 10 K]	< ± 0,2; (0...80 °C)

### Response times

Response time [ms]	< 3
Damping process value dAP in steps [s]	0,003 - 0,006 - 0,010 - 0,017 - 0,060 - 0,125 - 0,250 - 0,500

### Operating conditions

Ambient temperature [°C]	-25...85
Storage temperature [°C]	-40...100
Protection	IP 68; (7 days / 1 m water depth / 0.1 bar)

# PP0524



## Pressure switch with ceramic measuring cell

PP-010-RBG14-QFNKG/US/ /V

Tests / approvals		
EMC	immunity	EN 61000-6-2
	EN 61000-4-2 ESD	4 kV contact discharge / 15 kV air discharge
	EN 61000-4-3 HF radiated	20 V/m
	EN 61000-4-4 Burst	4 kV coupling clamp
	EN 61000-4-5 Surge	0,5 kV supply / 1 kV signal for DC units
	EN 61000-4-6 HF conducted	30 V
Shock resistance	DIN IEC 60068-2-27 / DIN IEC 60068-2-29	1000 g
	DIN EN 61373	category 3
Vibration resistance	DIN IEC 68-2-6	20 g (10...2000 Hz)
	DIN EN 60068-2-64	14 g
	DIN EN 61373	category 2
MTTF [years]		309
Pressure Equipment Directive	Sound engineering practice; can be used for group 2 fluids; group 1 fluids on request	

Mechanical data		
Weight [g]		225
Housing		cylindrical
Dimensions [mm]		Ø 30 / L = 79.5
Materials	stainless steel (304/1.4301); FKM; EPDM/X; PA	
Materials (wetted parts)	stainless steel (303/1.4305); ceramics; FKM	
Min. pressure cycles		100 million
Process connection	threaded connection G 1/4 external thread internal thread:M5	
Restrictor element integrated		no (can be retrofitted)

Displays / operating elements		
Display	operation	2 x LED, green
	switching status	2 x LED, yellow
Teach function		yes

Remarks		
Pack quantity		1 pcs.

### Electrical connection

Connector: 1 x M12; coding: A; Contacts: 4



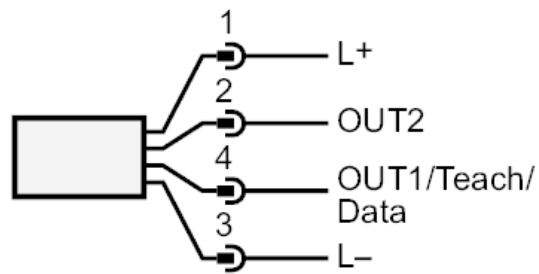
# PP0524



## Pressure switch with ceramic measuring cell

PP-010-RBG14-QFNKG/US/ IV

### Connection



OUT1	switching output
OUT2	switching output Diagnostic output