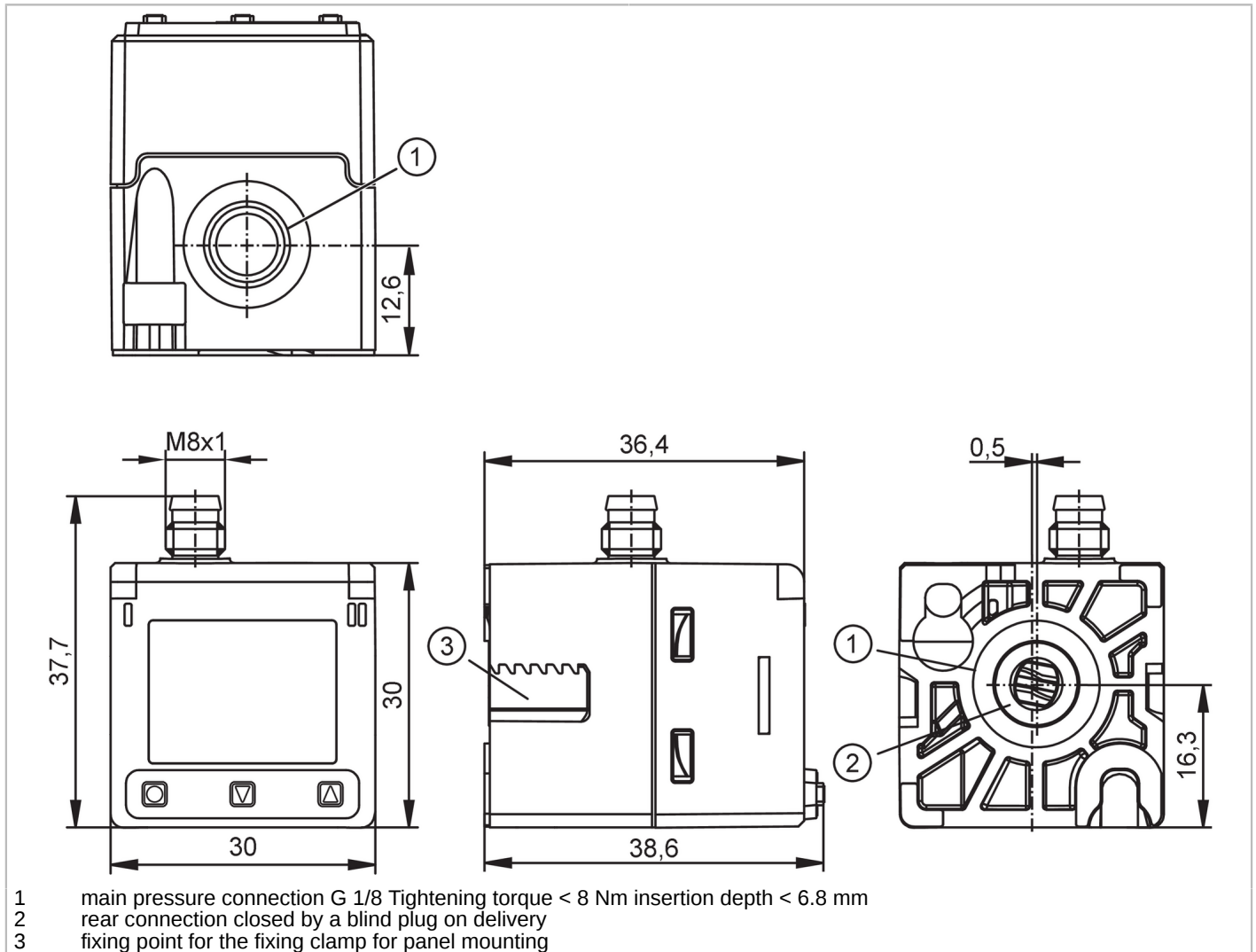


# PQC816



## Pressure sensor for pneumatics

PQ-001BKHR18-MFPKG/AS/



Product characteristics	
Number of inputs and outputs	Number of digital outputs: 1; Number of analogue outputs: 1
Measuring range	-1...1 bar      -1000...1000 mbar      -100...100 kPa
Process connection	threaded connection G 1/8 internal thread (2x)
Application	
Special feature	Gold-plated contacts
Application	for industrial applications
Media	compressed air; nitrogen (N2)
Conditionally suitable for	other media on request
Medium temperature [°C]	0...60
Min. burst pressure	20 bar      2 MPa
Pressure rating	10 bar      1 MPa
Vacuum resistance	-1000 mbar      -0.1 MPa
Type of pressure	relative pressure; vacuum
Electrical data	
Operating voltage [V]	18...30 DC

# PQC816



## Pressure sensor for pneumatics

PQ-001BKHR18-MFPKG/AS/

Current consumption	[mA]	< 30
Min. insulation resistance	[MΩ]	100; (500 V DC)
Protection class		III
Reverse polarity protection		yes
Power-on delay time	[s]	0.3
Integrated watchdog		yes

### Inputs / outputs

Number of inputs and outputs	Number of digital outputs: 1; Number of analogue outputs: 1
------------------------------	---

### Outputs

Total number of outputs	2
Output signal	switching signal; analogue signal; IO-Link; (configurable)
Electrical design	PNP/NPN; (configurable)
Number of digital outputs	1
Output function	normally open / normally closed; (parameterisable)
Max. voltage drop switching output DC	[V] 2.5
Permanent current rating of switching output DC	[mA] 100
Switching frequency DC	[Hz] < 170
Number of analogue outputs	1
Analogue current output	[mA] 4...20, invertible; (scalable)
Max. load	[Ω] 500
Analogue voltage output	[V] 0...10 / 1...5, invertible; (scalable)
Min. load resistance	[Ω] 2000
Short-circuit protection	yes
Type of short-circuit protection	pulsed
Overload protection	yes

### Measuring/setting range

Measuring range	-1...1 bar	-1000...1000 mbar	-100...100 kPa
Set point SP	-1...1 bar		-100...100 kPa
Analogue start point	-1...0.6 bar		-100...60 kPa
Analogue end point	-0.6...1 bar		-60...100 kPa
In steps of	0.001 bar		0.1 kPa

### Accuracy / deviations

Switch point accuracy	[% of the span]	< ± 0,5; (turn down 1:1)
Repeatability	[% of the span]	< ± 0,1; (with temperature fluctuations < 10 K: turn down 1:1)
Characteristics deviation	[% of the span]	< ± 0,5; (turn down 1:1; including linearity, hysteresis and repeatability)
Linearity deviation	[% of the span]	< ± 0.5 % (limit value setting according to DIN EN IEC 62828-1) turn down 1:1
Hysteresis deviation	[% of the span]	< ± 0,25; (turn down 1:1)
Long-term stability	[% of the span]	< ± 0,1; (turn down 1:1; per year)

# PQC816



## Pressure sensor for pneumatics

PQ-001BKHR18-MFPKG/AS/

Temperature coefficient zero point [% of the span / 10 K]	0,2; (Turn down 1:1)
Temperature coefficient span [% of the span / 10 K]	0,2; (Turn down 1:1)

### Response times

Response time [ms]	6
Damping process value dAP [s]	0...4
Damping for the analogue output dAA [s]	0...99.99

### Software / programming

Parameter setting options	display can be rotated and switched off; analogue output selectable and scalable; Teach function; simulation function; diagnostic function
---------------------------	--

### Interfaces

Communication interface	IO-Link	
Transmission type	COM3 (230,4 kBaud)	
IO-Link revision	1.1.3	
SDCI standard	IEC 61131-9: 2019-06	
Profiles	Smart Sensor - SSP 4.1.1	Measuring and Switching Sensor, 1 channel
	BLOB	Binary Large Object transfer
	Common - I&D	Identification and Diagnosis
	Extension	Quantity detection, switches when value exceeds the setpoint
	Function	Locator
	Function	ProductURI
SIO mode	yes	
Required master port type	A	
Process data analogue	1	
Process data binary	2	
Min. process cycle time [ms]	0.6	
IO-Link resolution pressure [bar]	0.0001	
IO-Link process data (cyclical)	<b>function</b>	<b>bit length</b>
	pressure	16
	device status	4
	SSC1.1	1
	SSC1.2	1
IO-Link functions (acyclical)	application specific tag; internal temperature; Medium temperature	
Supported DeviceIDs	<b>Type of operation</b>	<b>DeviceID</b>
	default	1725

### Operating conditions

Ambient temperature [°C]	0...60
Storage temperature [°C]	-25...85
Protection	IP 65

### Tests / approvals

EMC	DIN EN 61326-1	
Shock resistance	DIN EN 60068-2-27	50 g (11 ms)
Vibration resistance	DIN EN 60068-2-6	20 g (10...2000 Hz)

# PQC816



## Pressure sensor for pneumatics

PQ-001BKHR18-MFPKG/AS/

MTTF	[years]	392
UL approval	UL approval no.	J067
	File number UL	E174189
Pressure Equipment Directive	Sound engineering practice; can be used for stable gases fluid group 2	

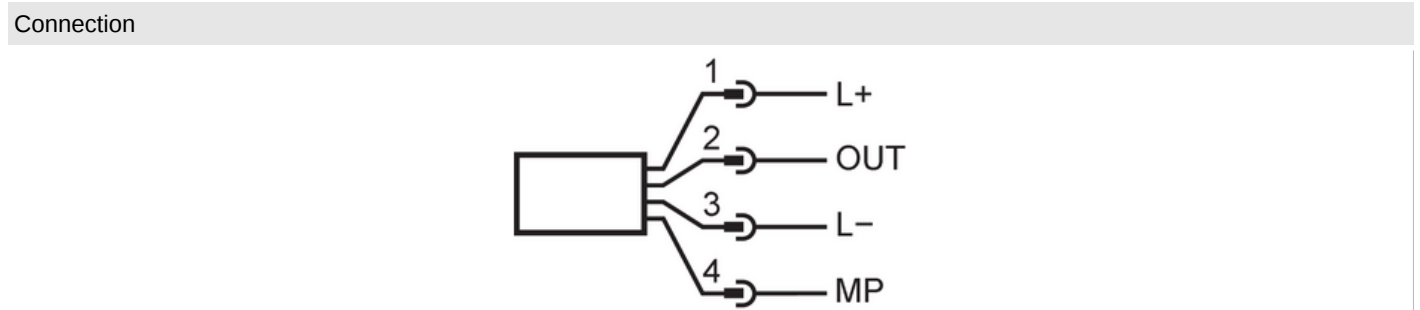
Mechanical data		
Weight	[g]	53
Housing		rectangular
Dimensions	[mm]	37.7 x 30 x 38.6
Materials		PBT; PC; TPE; NBR; FKM; brass; silicon (coated)
Materials (wetted parts)		PBT; FKM; brass; silicon (coated)
Min. pressure cycles		50 million
Process connection		threaded connection G 1/8 internal thread (2x)

Displays / operating elements		
Display	Display 1"	128 x 96 pixels
	switching status	1 x LED, yellow
Display unit	mbar; kPa; mmHg; kgf/cm <sup>2</sup>	

Accessories	
Items supplied	head cap screw: 2 x (M3 x 8 mm)

Remarks	
Pack quantity	1 pcs.

Electrical connection	
Connector: 1 x M8; coding: A; Contacts: 4, gold-plated	



Electrical connection - plug		
1	L+	
2	OUT	AO
3	L-	
4	MP	DO, IO-Link

AO: analogue output; DO: digital output; MP: multi-function connection

# PQC816



## Pressure sensor for pneumatics

PQ-001BKHR18-MFPKG/AS/

### Diagrams and graphs

drilling template

