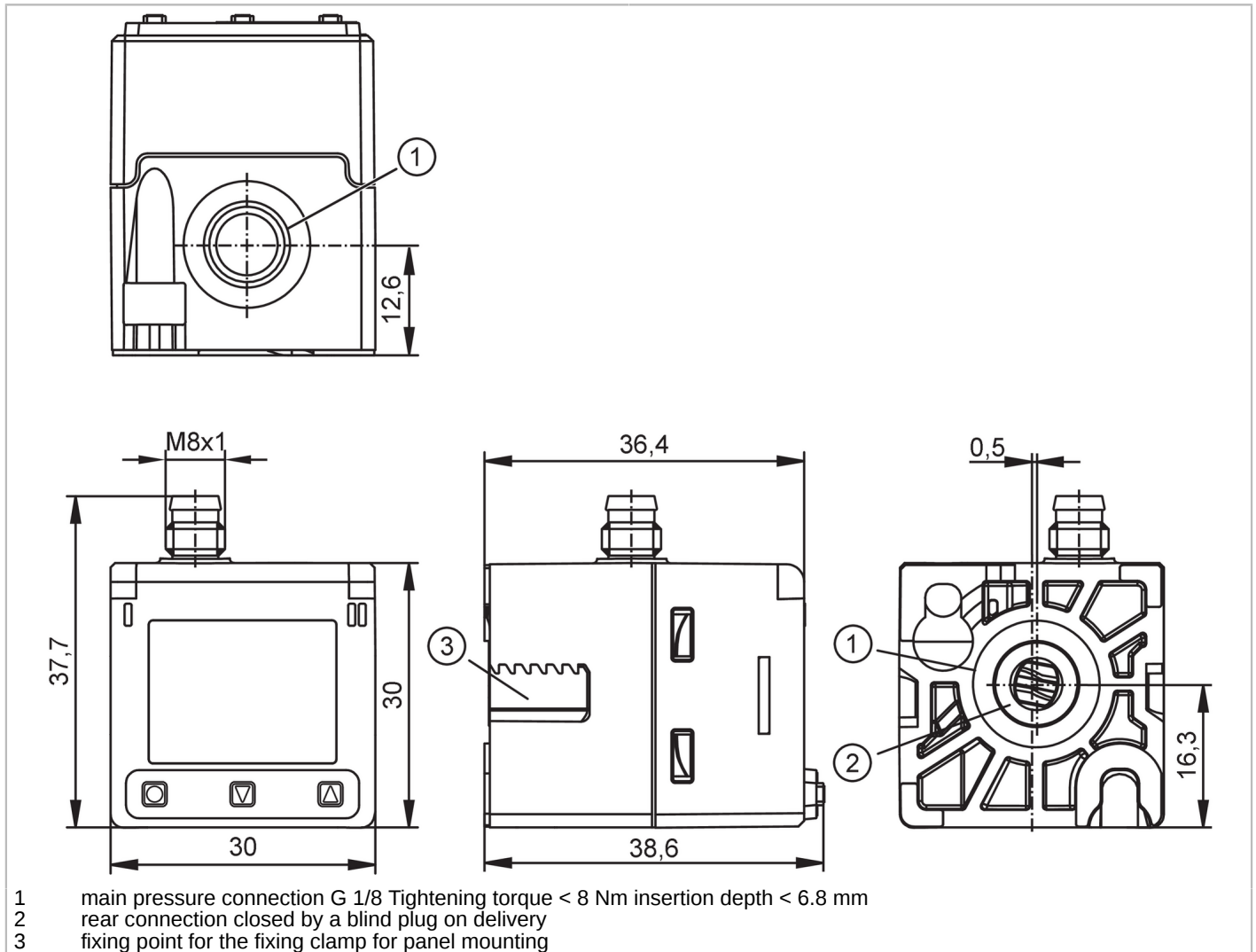


PQC866



Pressure sensor for pneumatics

PQ-001BRHR18-MFRKG/AS/



Product characteristics

Number of inputs and outputs	Number of digital outputs: 1; Number of analogue outputs: 1		
Measuring range	-1...1 bar	-1000...1000 mbar	-14.5...14.5 psi
Process connection	threaded connection G 1/8 internal thread (2x)		

Application

Special feature	Gold-plated contacts	
Application	for industrial applications	
Media	compressed air; nitrogen (N2)	
Conditionally suitable for	other media on request	
Medium temperature	0...60 °C	32...140 °F
Min. burst pressure	20 bar	290 psi
Pressure rating	10 bar	145 psi
Vacuum resistance	-1000 mbar	-14.5 psi
Type of pressure	relative pressure; vacuum	

Electrical data

Operating voltage	[V]	18...30 DC
-------------------	-----	------------

PQC866



Pressure sensor for pneumatics

PQ-001BRHR18-MFRKG/AS/

Current consumption	[mA]	< 30
Min. insulation resistance	[MΩ]	100; (500 V DC)
Protection class		III
Reverse polarity protection		yes
Power-on delay time	[s]	0.3
Integrated watchdog		yes

Inputs / outputs

Number of inputs and outputs	Number of digital outputs: 1; Number of analogue outputs: 1
------------------------------	---

Outputs

Total number of outputs	2
Output signal	switching signal; analogue signal; IO-Link; (configurable)
Electrical design	PNP/NPN; (configurable)
Number of digital outputs	1
Output function	normally open / normally closed; (parameterisable)
Max. voltage drop switching output DC	[V] 2.5
Permanent current rating of switching output DC	[mA] 100
Switching frequency DC	[Hz] < 170
Number of analogue outputs	1
Analogue current output	[mA] 4...20, invertible; (scalable)
Max. load	[Ω] 500
Analogue voltage output	[V] 0...10 / 1...5, invertible; (scalable)
Min. load resistance	[Ω] 2000
Short-circuit protection	yes
Type of short-circuit protection	pulsed
Overload protection	yes

Measuring/setting range

Measuring range	-1...1 bar	-1000...1000 mbar	-14.5...14.5 psi
Set point SP	-1...1 bar	-1000...1000 mbar	-14.5...14.5 psi
Analogue start point	-1...0.6 bar		-14.5...8.7 psi
Analogue end point	-0.6...1 bar		-8.7...14.5 psi
In steps of	0.001 bar	1 mbar	0.01 psi

Accuracy / deviations

Switch point accuracy	[% of the span]	< ± 0,5; (turn down 1:1)
Repeatability	[% of the span]	< ± 0,1; (with temperature fluctuations < 10 K: turn down 1:1)
Characteristics deviation	[% of the span]	< ± 0,5; (turn down 1:1; including linearity, hysteresis and repeatability)
Linearity deviation	[% of the span]	< ± 0.5 % (limit value setting according to DIN EN IEC 62828-1) turn down 1:1
Hysteresis deviation	[% of the span]	< ± 0,25; (turn down 1:1)
Long-term stability	[% of the span]	< ± 0,1; (turn down 1:1; per year)



Pressure sensor for pneumatics

PQ-001BRHR18-MFRKG/AS/

Temperature coefficient zero point [% of the span / 10 K]	0,2; (Turn down 1:1)
Temperature coefficient span [% of the span / 10 K]	0,2; (Turn down 1:1)

Response times

Response time [ms]	6
Damping process value dAP [s]	0...4
Damping for the analogue output dAA [s]	0...99.99

Software / programming

Parameter setting options	display can be rotated and switched off; analogue output selectable and scalable; Teach function; simulation function; diagnostic function
---------------------------	--

Interfaces

Communication interface	IO-Link	
Transmission type	COM3 (230,4 kBaud)	
IO-Link revision	1.1.3	
SDCI standard	IEC 61131-9: 2019-06	
Profiles	Smart Sensor - SSP 4.1.1	Measuring and Switching Sensor, 1 channel
	BLOB	Binary Large Object transfer
	Common - I&D	Identification and Diagnosis
	Extension	Quantity detection, switches when value exceeds the setpoint
	Function	Locator
	Function	ProductURI
SIO mode	yes	
Required master port type	A	
Process data analogue	1	
Process data binary	2	
Min. process cycle time [ms]	0.6	
IO-Link resolution pressure [bar]	0.0001	
IO-Link process data (cyclical)	function	bit length
	pressure	16
	device status	4
	SSC1.1	1
	SSC1.2	1
IO-Link functions (acyclical)	application specific tag; internal temperature; Medium temperature	
Supported DeviceIDs	Type of operation	DeviceID
	default	1718

Operating conditions

Ambient temperature	0...60 °C	32...140 °F
Storage temperature	-25...85 °C	-13...185 °F
Protection	IP 65	

Tests / approvals

EMC	DIN EN 61326-1	
Shock resistance	DIN EN 60068-2-27	50 g (11 ms)
Vibration resistance	DIN EN 60068-2-6	20 g (10...2000 Hz)

PQC866



Pressure sensor for pneumatics

PQ-001BRHR18-MFRKG/AS/

UL approval	UL approval no.	J067
	File number UL	E174189
Pressure Equipment Directive	Sound engineering practice; can be used for stable gases fluid group 2	

Mechanical data		
Weight	[g]	52.9
Housing		rectangular
Dimensions	[mm]	37.7 x 30 x 38.6
Materials		PBT; PC; TPE; NBR; FKM; brass; silicon (coated)
Materials (wetted parts)		PBT; FKM; brass; silicon (coated)
Min. pressure cycles		50 million
Process connection		threaded connection G 1/8 internal thread (2x)

Displays / operating elements		
Display	Display 1"	128 x 96 pixels
	switching status	1 x LED, yellow
Display unit	mbar; kPa; psi; mmHg; inHg; kgf/cm ²	

Accessories	
Items supplied	head cap screw: 2 x (M3 x 8 mm)

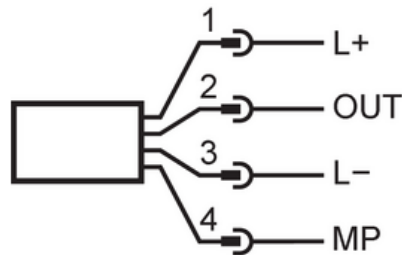
Remarks	
Pack quantity	1 pcs.

Electrical connection

Connector: 1 x M8; coding: A; Contacts: 4, gold-plated



Connection



Electrical connection - plug

1	L+	
2	OUT	AO
3	L-	
4	MP	DO, IO-Link

AO: analogue output; DO: digital output; MP: multi-function connection

PQC866



Pressure sensor for pneumatics

PQ-001BRHR18-MFRKG/AS/

Diagrams and graphs

drilling template

