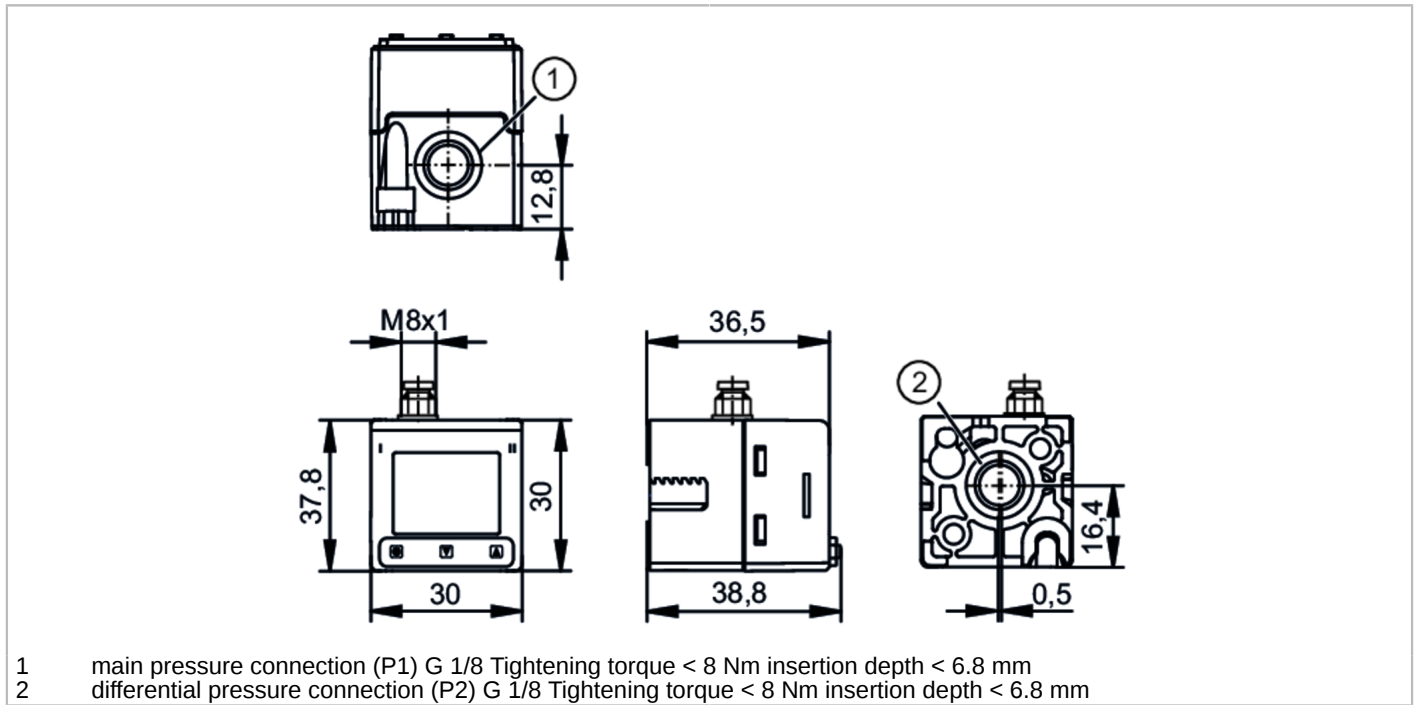


PQD484



Pressure sensor for pneumatics

PQ-010-KHR18-MFPKG/AS/



Product characteristics

Number of inputs and outputs	Number of digital outputs: 1; Number of analogue outputs: 1		
Measuring range	-1...10 bar	-14.5...145 psi	-0.1...1 MPa
Process connection	threaded connection G 1/8 internal thread (2x)		

Application

Special feature	Gold-plated contacts		
Application	for industrial applications		
Media	compressed air; nitrogen (N2)		
Conditionally suitable for	other media on request		
Medium temperature	0...60 °C	32...140 °F	
Min. burst pressure	20 bar	290 psi	2 MPa
Pressure rating	15 bar	220 psi	1.5 MPa
Vacuum resistance	-1000 mbar	-14.5 psi	-0.1 MPa
Type of pressure	relative pressure; vacuum; differential pressure		

Electrical data

Operating voltage	[V]	18...30 DC
Current consumption	[mA]	< 30
Min. insulation resistance	[MΩ]	100; (500 V DC)
Protection class		III
Reverse polarity protection		yes
Power-on delay time	[s]	0.3
Integrated watchdog		yes

Inputs / outputs

Number of inputs and outputs	Number of digital outputs: 1; Number of analogue outputs: 1
------------------------------	---



Pressure sensor for pneumatics

PQ-010-KHR18-MFPKG/AS/

Outputs			
Total number of outputs		2	
Output signal		switching signal; analogue signal; IO-Link; (configurable)	
Electrical design		PNP/NPN; (configurable)	
Number of digital outputs		1	
Output function		normally open / normally closed; (parameterisable)	
Max. voltage drop switching output DC	[V]	2.5	
Permanent current rating of switching output DC	[mA]	100	
Switching frequency DC	[Hz]	< 170	
Number of analogue outputs		1	
Analogue current output	[mA]	4...20, invertible; (scalable)	
Max. load	[Ω]	500	
Analogue voltage output	[V]	0...10 / 1...5, invertible; (scalable)	
Min. load resistance	[Ω]	2000	
Short-circuit protection		yes	
Type of short-circuit protection		pulsed	
Overload protection		yes	
Measuring/setting range			
Measuring range		-1...10 bar	-14.5...145 psi
			-0.1...1 MPa
Set point SP		-1...10 bar	-14.5...145 psi
			-0.1...1 MPa
Analogue start point		-1...8 bar	-14.5...116 psi
			-0.1...0.8 MPa
Analogue end point		1...10 bar	14.5...145 psi
			0.1...1 MPa
In steps of		0.01 bar	0.1 psi
			0.001 MPa
Accuracy / deviations			
Switch point accuracy		< ± 0,5; (turn down 1:1)	
	[% of the span]		
Repeatability		< ± 0,1; (with temperature fluctuations < 10 K: turn down 1:1)	
	[% of the span]		
Characteristics deviation		< ± 0,5; (turn down 1:1; including linearity, hysteresis and repeatability)	
	[% of the span]		
Linearity deviation		< ± 0.5 % (limit value setting according to DIN EN IEC 62828-1) turn down 1:1	
	[% of the span]		
Hysteresis deviation		< ± 0,25; (turn down 1:1)	
	[% of the span]		
Long-term stability		< ± 0,1; (turn down 1:1; per year)	
	[% of the span]		
Temperature coefficient zero point		0,2; (Turn down 1:1)	
	[% of the span / 10 K]		
Temperature coefficient span		0,2; (Turn down 1:1)	
	[% of the span / 10 K]		
Response times			
Response time		6	
	[ms]		
Damping process value dAP		0...4	
	[s]		

PQD484



Pressure sensor for pneumatics

PQ-010-KHR18-MFPKG/AS/

Damping for the analogue output dAA	[s]	0...99.99
-------------------------------------	-----	-----------

Software / programming

Parameter setting options	display can be rotated and switched off; analogue output selectable and scalable; Teach function; simulation function; diagnostic function	
---------------------------	--	--

Interfaces

Communication interface	IO-Link	
Transmission type	COM3 (230,4 kBaud)	
IO-Link revision	1.1.4	
SDCI standard	IEC 61131-9: 2019-06	
Profiles	Smart Sensor - SSP 4.1.1	Measuring and Switching Sensor, 1 channel
	BLOB	Binary Large Object transfer
	Common - I&D	Identification and Diagnosis
	Extension	Quantity detection, switches when value exceeds the setpoint
	Function	Locator
	Function	ProductURI
SIO mode	yes	
Required master port type	A	
Process data analogue	1	
Process data binary	2	
Min. process cycle time	[ms]	0.6
IO-Link resolution pressure	[bar]	0.001
IO-Link process data (cyclical)	function	bit length
	pressure	16
	device status	4
	SSC1.1	1
	SSC1.2	1
IO-Link functions (acyclical)	application specific tag; internal temperature; Medium temperature	
Supported DeviceIDs	Type of operation	DeviceID
	default	1995

Operating conditions

Ambient temperature	0...60 °C	32...140 °F
Storage temperature	-25...85 °C	-13...185 °F
Protection	IP 65	

Tests / approvals

EMC	DIN EN 61326-1	
Shock resistance	DIN EN 60068-2-27	50 g (11 ms)
Vibration resistance	DIN EN 60068-2-6	20 g (10...2000 Hz)
Pressure Equipment Directive	Sound engineering practice; can be used for stable gases fluid group 2	

Mechanical data

Weight	[g]	54
Housing	rectangular	
Dimensions	[mm]	37.7 x 30 x 38.6
Materials	PBT; PC; TPE; NBR; FKM; brass; silicon (coated)	
Materials (wetted parts)	PBT; FKM; brass; silicon (coated)	

PQD484



Pressure sensor for pneumatics

PQ-010-KHR18-MFPKG/AS/

Min. pressure cycles	50 million
Process connection	threaded connection G 1/8 internal thread (2x)

Displays / operating elements

Display	Display 1"	128 x 96 pixels
	switching status	1 x LED, yellow
Display unit	bar; MPa; psi; mmHg; inHg; kgf/cm ²	

Accessories

Items supplied	head cap screw: 2 x (M3 x 8 mm)
----------------	---------------------------------

Remarks

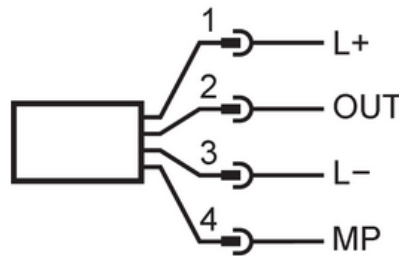
Pack quantity	1 pcs.
---------------	--------

Electrical connection - plug

Connector: 1 x M8; coding: A; Contacts: 4, gold-plated



Connection



1	L+	
2	OUT	AO
3	L-	
4	MP	DO, IO-Link

AO: analogue output; DO: digital output; MP: multi-function connection

Diagrams and graphs

drilling template

