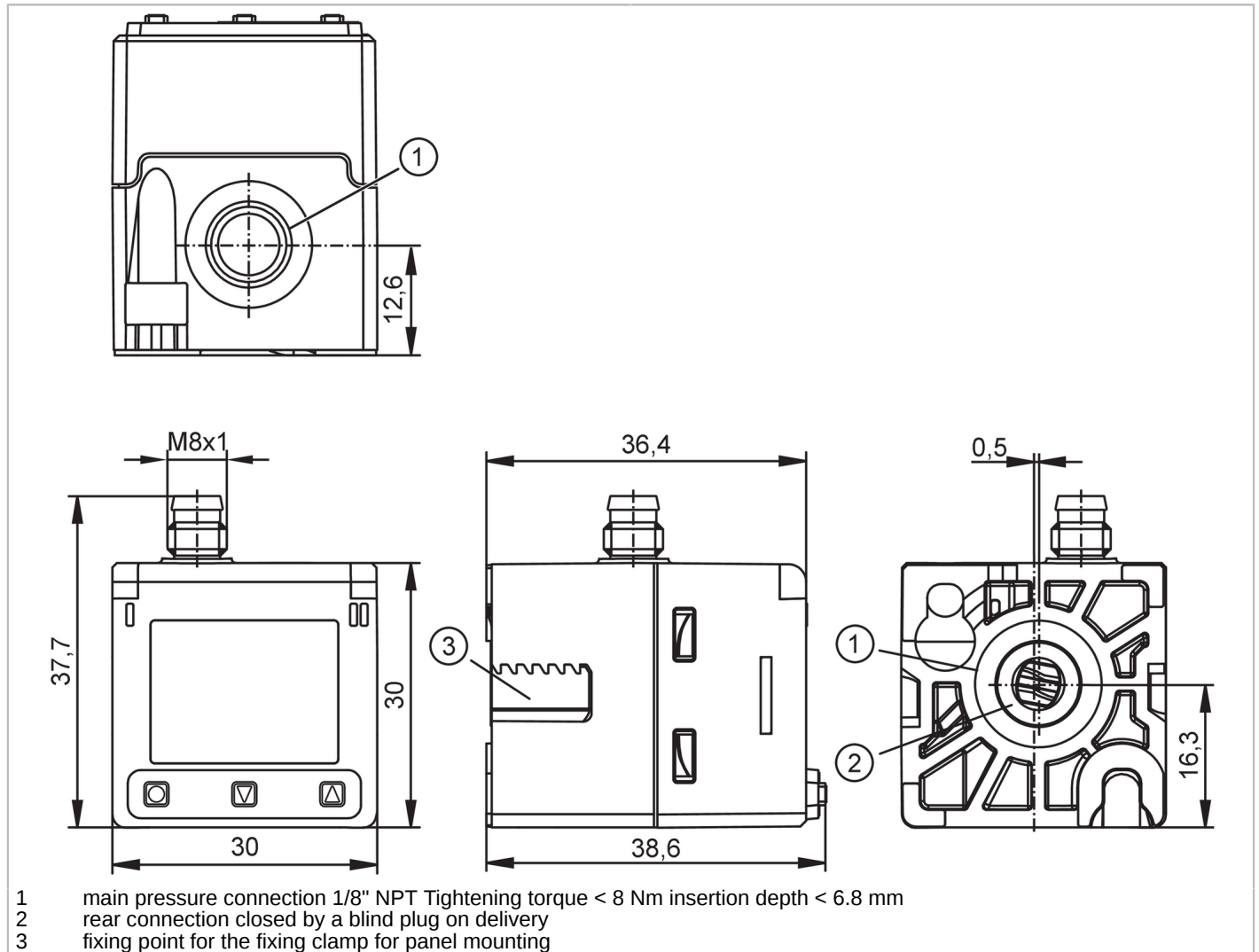


# PQS612



## Pressure sensor for pneumatics

PQ-010-KHN18-QFPKG/AS/



Product characteristics		
Number of inputs and outputs	Number of digital outputs: 2	
Measuring range	-1...10 bar	-14.5...145 psi
Process connection	threaded connection 1/8" NPT internal thread (2x)	
Application		
Special feature	Gold-plated contacts	
Application	for industrial applications	
Media	compressed air; nitrogen (N2)	
Conditionally suitable for	other media on request	
Medium temperature	0...60 °C	32...140 °F
Min. burst pressure	20 bar	290 psi
Pressure rating	15 bar	220 psi
Vacuum resistance	-1000 mbar	-14.5 psi
Type of pressure	relative pressure; vacuum	
Electrical data		
Operating voltage	[V]	18...30 DC



## Pressure sensor for pneumatics

PQ-010-KHN18-QFPKG/AS/

Current consumption	[mA]	< 30
Min. insulation resistance	[MΩ]	100; (500 V DC)
Protection class		III
Reverse polarity protection		yes
Power-on delay time	[s]	0.3
Integrated watchdog		yes

### Inputs / outputs

Number of inputs and outputs	Number of digital outputs: 2
------------------------------	------------------------------

### Outputs

Total number of outputs	2	
Output signal	switching signal; IO-Link; (configurable)	
Electrical design	PNP/NPN; (configurable)	
Number of digital outputs	2	
Output function	normally open / normally closed; (parameterisable)	
Max. voltage drop switching output DC	[V]	2.5
Permanent current rating of switching output DC	[mA]	100
Switching frequency DC	[Hz]	< 170
Short-circuit protection		yes
Type of short-circuit protection		pulsed
Overload protection		yes

### Measuring/setting range

Measuring range	-1...10 bar	-14.5...145 psi
Set point SP	-1...10 bar	-14.5...145 psi
In steps of	0.01 bar	0.1 psi

### Accuracy / deviations

Switch point accuracy	[% of the span]	< ± 0,5
Repeatability	[% of the span]	< ± 0,1; (with temperature fluctuations < 10 K:)
Characteristics deviation	[% of the span]	< ± 0,5; (including linearity, hysteresis and repeatability)
Linearity deviation	[% of the span]	< ± 0.5 % (limit value setting according to DIN EN IEC 62828-1)
Hysteresis deviation	[% of the span]	< ± 0,25
Long-term stability	[% of the span]	< ± 0,1; (per year)
Temperature coefficient zero point	[% of the span / 10 K]	0,2
Temperature coefficient span	[% of the span / 10 K]	0,2

### Response times

Response time	[ms]	6
---------------	------	---

# PQS612



## Pressure sensor for pneumatics

PQ-010-KHN18-QFPKG/AS/

Damping process value dAP	[s]	0...4
Damping for the analogue output dAA	[s]	0...99.99

### Software / programming

Parameter setting options	display can be rotated and switched off; Teach function; simulation function; diagnostic function
---------------------------	---

### Interfaces

Communication interface	IO-Link	
Transmission type	COM3 (230,4 kBaud)	
IO-Link revision	1.1.3	
SDCI standard	IEC 61131-9: 2019-06	
Profiles	Smart Sensor - SSP 4.1.1	Measuring and Switching Sensor, 1 channel
	BLOB	Binary Large Object transfer
	Common - I&D	Identification and Diagnosis
	Extension	Quantity detection, switches when value exceeds the setpoint
	Function	Locator
	Function	ProductURI
SIO mode	yes	
Required master port type	A	
Process data analogue	1	
Process data binary	2	
Min. process cycle time	[ms]	0.6
IO-Link resolution pressure	[bar]	0.001
IO-Link process data (cyclical)	<b>function</b>	<b>bit length</b>
	pressure	16
	device status	4
	SSC1.1	1
	SSC1.2	1
IO-Link functions (acyclical)	application specific tag; internal temperature; Medium temperature	
Supported DeviceIDs	<b>Type of operation</b>	<b>DeviceID</b>
	default	1736

### Operating conditions

Ambient temperature	0...60 °C	32...140 °F
Storage temperature	-25...85 °C	-13...185 °F
Protection	IP 65	

### Tests / approvals

EMC	DIN EN 61326-1	
Shock resistance	DIN EN 60068-2-27	50 g (11 ms)
Vibration resistance	DIN EN 60068-2-6	20 g (10...2000 Hz)
UL approval	UL approval no.	J065
	File number UL	E174189
Pressure Equipment Directive	Sound engineering practice; can be used for stable gases fluid group 2	

### Mechanical data

Weight	[g]	52.9
Housing	rectangular	

# PQS612



## Pressure sensor for pneumatics

PQ-010-KHN18-QFPKG/AS/

Dimensions	[mm]	37.7 x 30 x 38.6
Materials		PBT; PC; TPE; NBR; FKM; brass; silicon (coated)
Materials (wetted parts)		PBT; FKM; brass; silicon (coated)
Min. pressure cycles		50 million
Process connection		threaded connection 1/8" NPT internal thread (2x)

### Displays / operating elements

Display	Display 1"	128 x 96 pixels
	switching status	2 x LED, yellow
Display unit		bar; MPa; psi; mmHg; inHg; kgf/cm <sup>2</sup>

### Accessories

Items supplied		head cap screw: 2 x (M3 x 8 mm)
----------------	--	---------------------------------

### Remarks

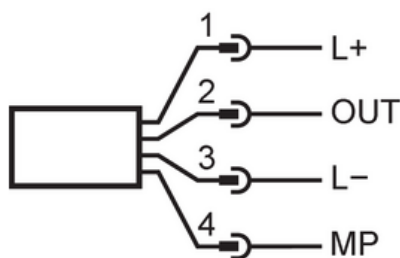
Pack quantity		1 pcs.
---------------	--	--------

### Electrical connection

Connector: 1 x M8; coding: A; Contacts: 4, gold-plated



### Connection



### Electrical connection - plug

1	L+	
2	OUT	DO
3	L-	
4	MP	DO, IO-Link

DO: digital output; MP: multi-function connection

# PQS612



## Pressure sensor for pneumatics

PQ-010-KHN18-QFPKG/AS/

### Diagrams and graphs

drilling template

